

VERDERAIR VA 50 metallic

Technical data

Weight [lbs/kg]	Aluminum with Aluminum center section	58/26.3
	Stainless Steel with Aluminum center section	111/50
	Ductile iron with Aluminum center section	130/59
	Stainless Steel with Stainless Steel center section	134/60
	Ductile iron with Stainless Steel center section	130/59
Suction lift [ft/m]	Dry	18/5.48
	Wet	18/5.48
Temperature max [°F/°C]	Aluminum	150/65.5*
	Stainless Steel	150/65.5*
	Cast Iron	150/65.5*
Max. particle size [in/mm]		0.25/6.3
Non wetted material, center section	Aluminum/Stainless Steel	

* 220/104.4 with Teflon diaphragms

codes VA 50

no.2 no.3 no.4

no.2 wetted material

AL = Aluminum
SS = Stainless Steel
CI = Cast Iron

no.3 seat material

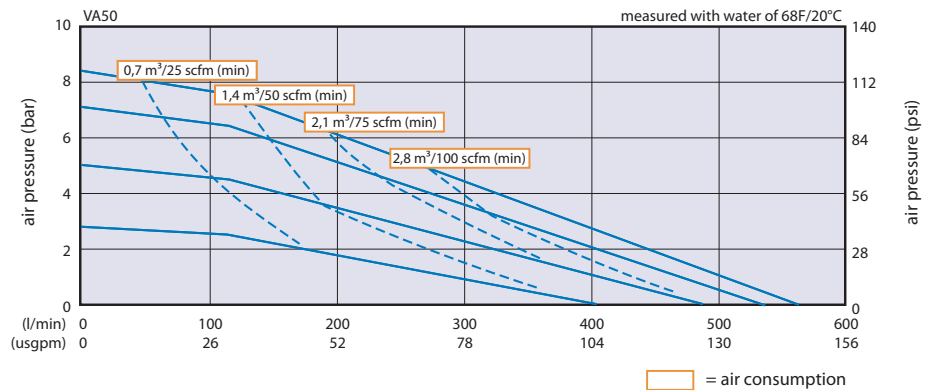
PP = Polypropylene
SS = Stainless Steel
HS = Hardened Steel
VT = Viton
HY = Hytrel
SP = Santoprene
GE = Geolast
BN = Buna-N
KY = Kynar

no.4 valve material

TF = Teflon
HY = Hytrel
HS = Hardened Steel
SP = Santoprene
VT = Viton
GE = Geolast
AC = Acetal
BN = Buna-N

no.5 diaphragm material

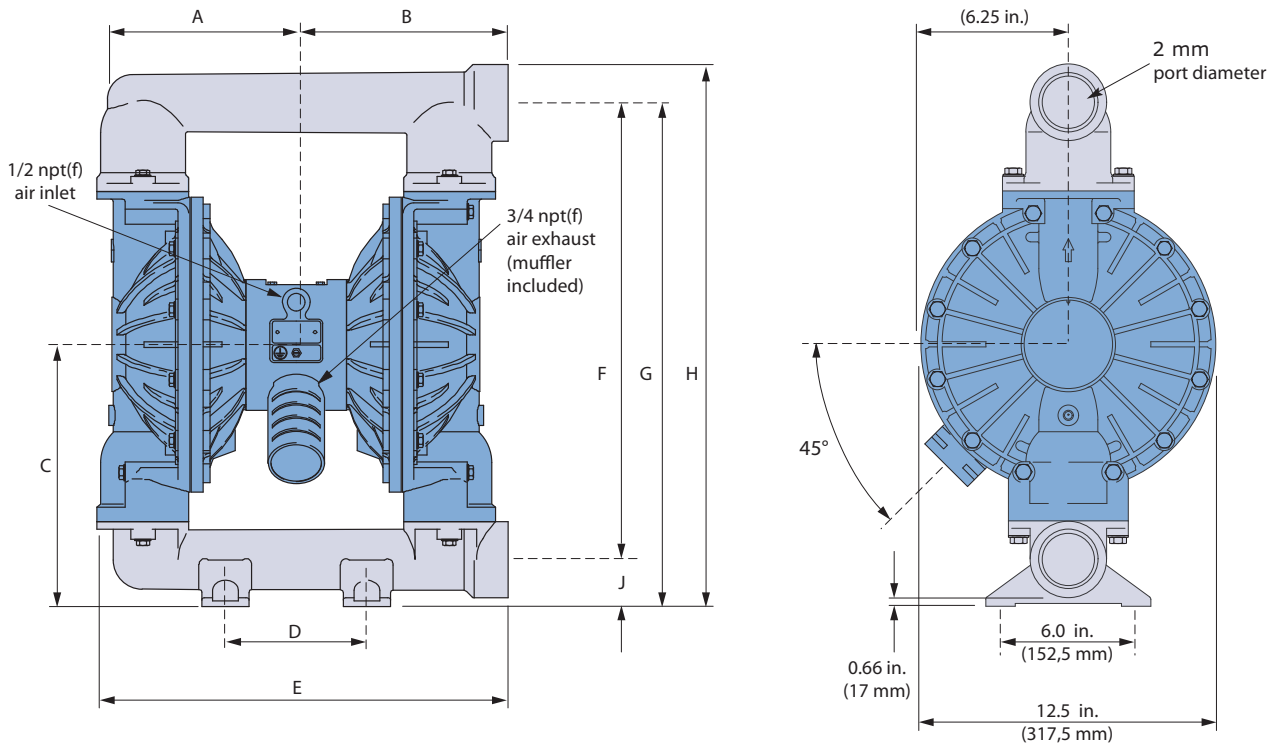
TF = Teflon
HY = Hytrel
SP = Santoprene
VT = Viton
GE = Geolast
BN = Buna-N





Dimensions				
	Stainless Steel	Ductile Iron	Aluminum	Aluminum Extension *
A	8.9 in/227.7 mm	8.4 in/213.1 mm	8.4 in/213.1 mm	8.4 in/213.1 mm
B	9.4 in/239.0 mm	9 in/230.1 mm	9 in/230.1 mm	9 in/230.1 mm
C	15.5 in/393.7 mm	12.3 in/312.4mm	12.3 in/312.4 mm	12.3 in/312.4mm
D	6.5 in/165.1 mm	6 in/152.4mm	6 in/152.4 mm	6 in/152.4 mm
E	18 in/458.9 mm	17.4 in/443.2mm	17.4 in/443.2 mm	17.4 in/443.2mm
F	22.3 in/565.7 mm	19.3 in/492mm	20 in/505.5 mm	22.8 in/579.1 mm
G	24.6 in/625.8 mm	21.3 in/542.8 mm	22 in/556.3 mm	24.9 in/631.9 mm
H	26.2 in/668.0 mm	23 in/584.2 mm	23.5 in/597.7mm	26.5 in/673.3 mm
J	2.37 in/60.2 mm	2 in/50.8 mm	2 in/50.8 mm	2 in/50.8 mm
K	0.94 in/24.1 mm	0.38 in/9.7 mm	0.38 in/9.7 mm	0.38 in/9.7 mm

* Aluminum extended pump matches the inlet to outlet dimensions of Wilden and Aro Aluminum pumps.
This will help for ease of installation during upgrades.



VERDERAIR VA 50 non-metallic

Technical data

Weight [lbs/kg]	PP with Aluminum center section	49/22
	PP with Stainless Steel center section	68.5/31
	Kynar with Aluminum center section	68/30.8
	Kynar with Stainless Steel center section	87.5/39.6
Suction lift [ft/m]	Dry	18/5.48
	Wet	18/5.48
Temperature max [°F/°C]	PP	150/65.5*
	Kynar	150/65.5*
Max. particle size [in/mm]		0.25/6.3
Non wetted material, center section	Aluminum/Stainless Steel	

* 220/104.4 with Teflon diaphragms

codes VA 50

no.2 no.3 no.4 no.5

no.2 wetted material

PP = Polypropylene

KY = Kynar

no.3 seat material

PP = Polypropylene

HY = Hytrel

SS = Stainless Steel

GE = Geolast

HS = Hardened Steel

KY = Kynar

SP = Santoprene

BN = Buna-N

VT = Viton

no.4 valve material

TF = Teflon

HY = Hytrel

HS = Hardened Steel

AC = Acetal

SP = Santoprene

VT = Viton

GE = Geolast

BN = Buna-N

no.5 diaphragm material

TF = Teflon

HY = Hytrel

SP = Santoprene

VT = Viton

GE = Geolast

BN = Buna-N

