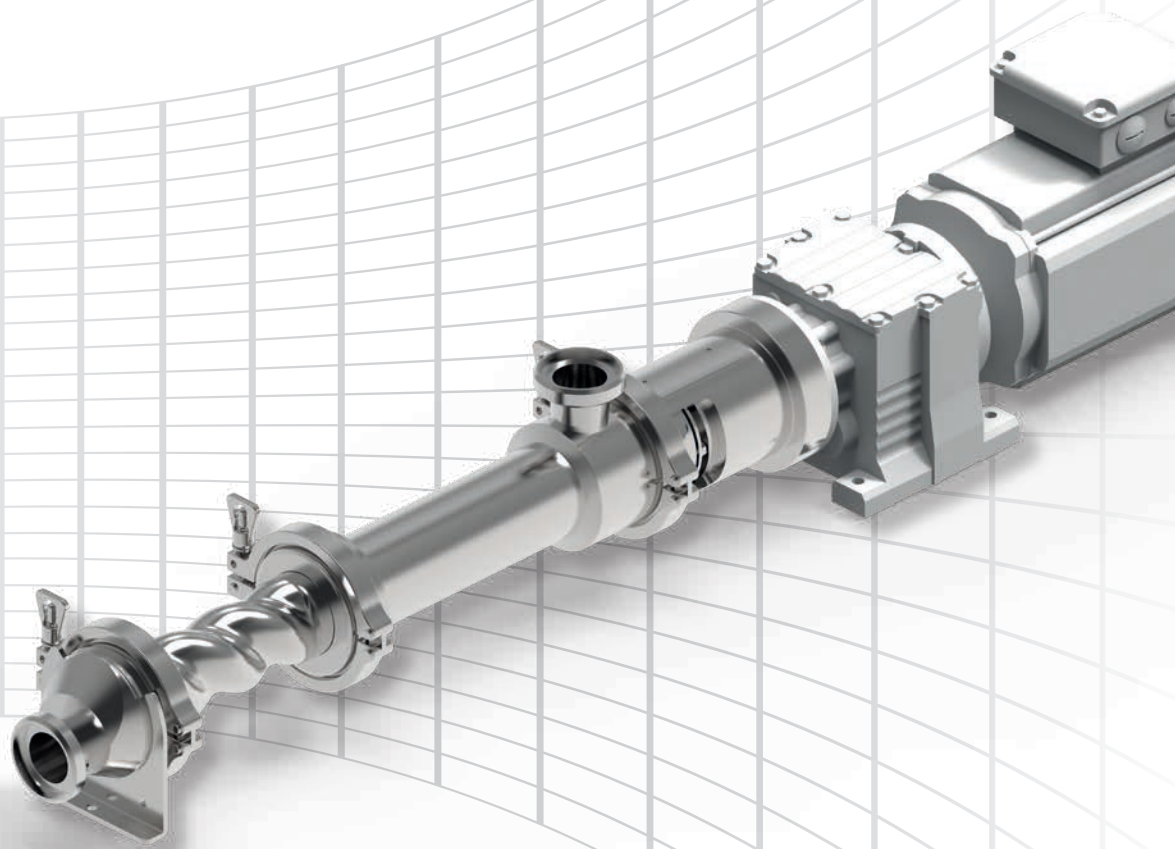


Hygienic Progressing Cavity Pumps
WANGEN MX

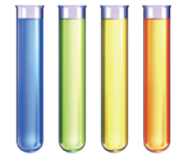


For demanding hygienic conveying
and dosing in the food & beverage-,
pharmaceutical and cosmetics industry

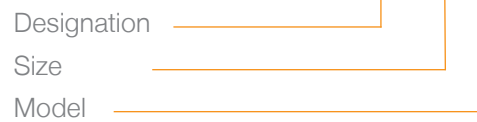
WANGEN MX



The WANGEN MX progressing cavity pump precisely fulfills the demanding requirements of the food, pharmaceutical and cosmetics industries. State-of-the-art design features allow excellent ease of cleaning and maintenance. Therefore, the pump is available with all common certificates. And thanks to its great pressure stability, the MX can also be used in many ways in the chemical, paint and paper industries, among others.



MX 20S







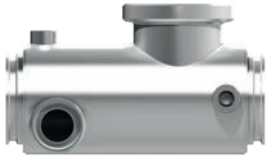


















Size: Drive shaft diameter

Models: Suction, submersible, hopper, follower plate versions

Modular design

The modular design of the MX makes it suitable for numerous applications and extremely easy to maintain. The wide variety of components enable the pump to be modified in the optimum way to suit customers' specific applications.

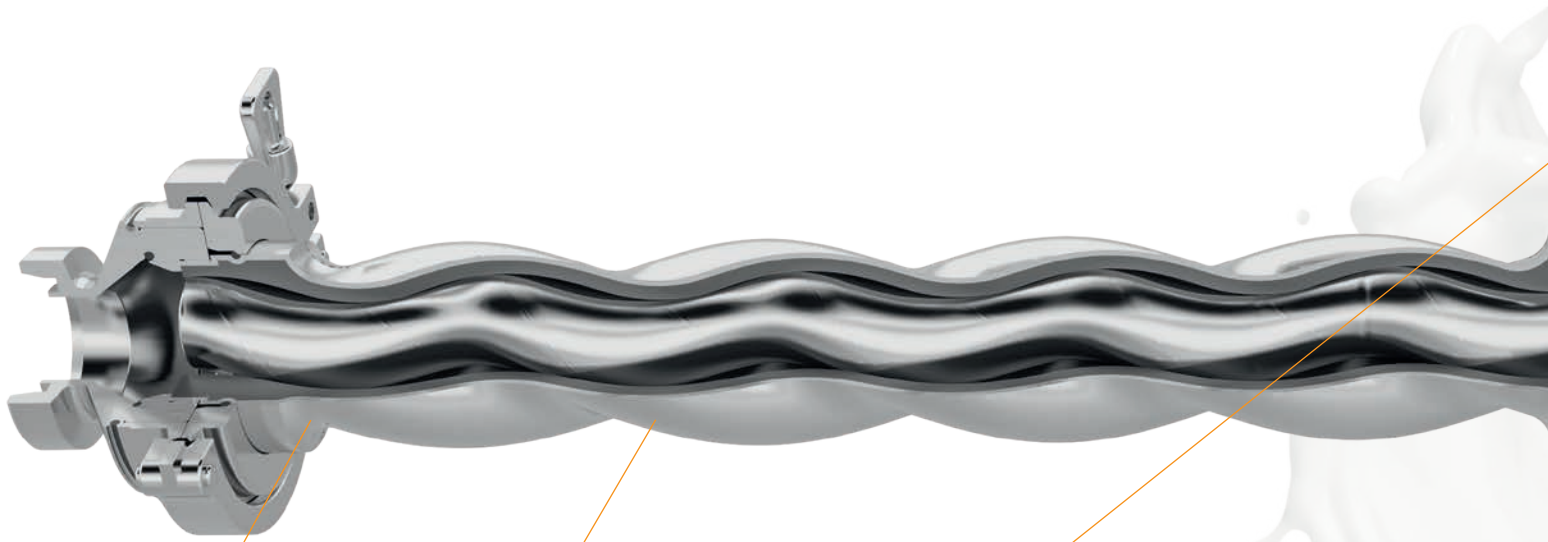
 <p>Discharge nozzle DIN32676</p>	 <p>Stator EW40/10</p>	 <p>Suction housing DIN32676</p>	 <p>Hygienic mechanical seal MXHS</p>	
 <p>Discharge nozzle tangential outlet</p>	 <p>Stator EW25/10 with double jacket</p>	 <p>Suction housing with CIP nozzle and double jacket</p>	 <p>Double acting mechanical seal for quench MXHS-MXEB</p>	
 <p>Discharge nozzle DIN11851</p>	 <p>Stator EW30/10</p>	 <p>Suction housing DIN11851</p>	 <p>Elastomer bellow mechanical seal MXEB</p>	 <p>Gear motor in aseptic design</p>
 <p>Discharge nozzle EN1092-1</p>	 <p>Stator EW15/40</p>	 <p>Suction housing EN1092-1</p>	 <p>PS shaft seal with flushing</p>	 <p>Spur gear motor</p>
 <p>Discharge nozzle DIN11864-1</p>	 <p>Stator EW20/20</p>	 <p>Rectangular hopper housing with two CIP nozzles</p>	 <p>Gland packing with flushing</p>	 <p>Servo gear motor</p>

Example: MX20S

Design characteristics

Advantages

1. 10 bar per pressure stage thanks to EvenWall® technology
2. Compact assembly length at high pressures
3. Low-impact product delivery
4. Quick and easy to clean
5. Captive connecting elements
6. Modular design
7. Outstanding stability under pressure



Modular design
(various pump
assemblies can
be adapted)

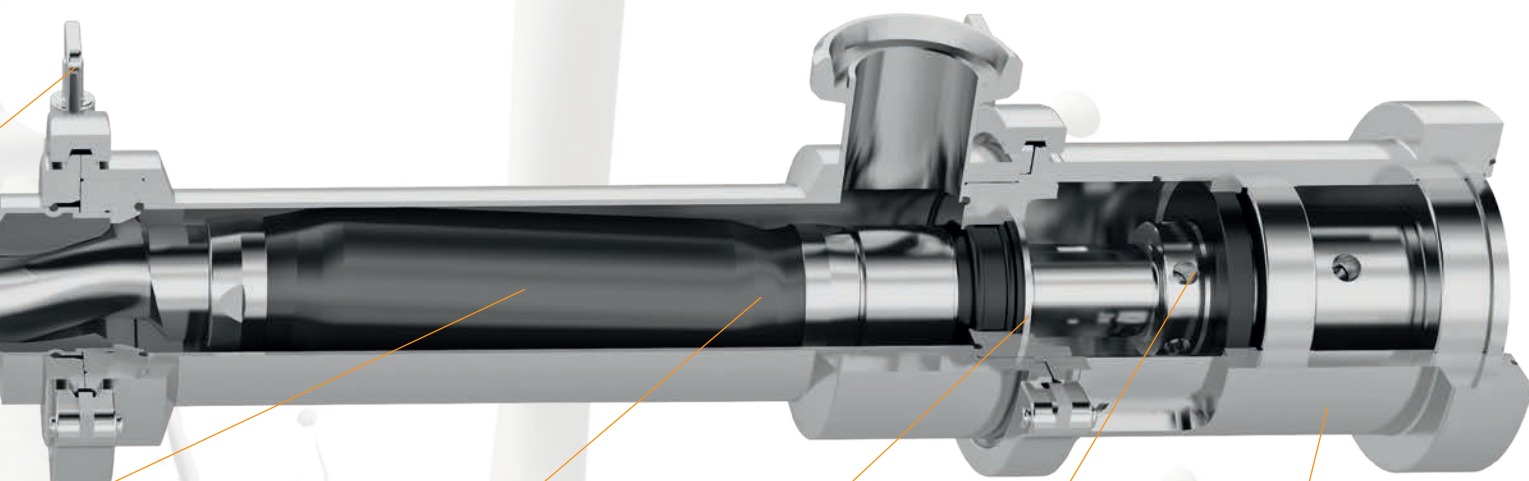
Stators in EvenWall®
design (uniform
elastomer wall
thickness)

Fast disassembly and
assembly by means of
clamping closures

Cardan joint,
covered with
hygienic collar

Characteristics

- Compatible with CIP and SIP
- Hygienic design
- Design with minimal dead space
- Extremely easy to service
- Intelligent interfaces



Non-slip cylindrical connection elements prevent the unintentional loosening of pump components

Spacious sealing chamber for all seal assemblies

Wear parts can be replaced quickly via a separation point opposite the product

Robust and splash-resistant bearing housing enables a fully assembled „standby pump“ to be fitted even without a drive

MX-F

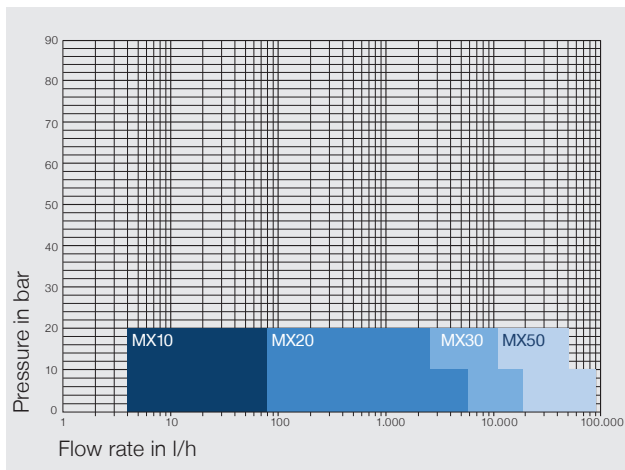
Pump size	Maximum completely free passage (mm)	Flowrate (l/h)	Maximum differential pressure (bar)
10	6	1 to 75	20
20	22	5 to 5.600	20
30	48	50 to 20.000	20
50	76	500 to 100.000	20

Application

- Drum and hopper drained via follower plate
- Low-impact delivery of products containing solids

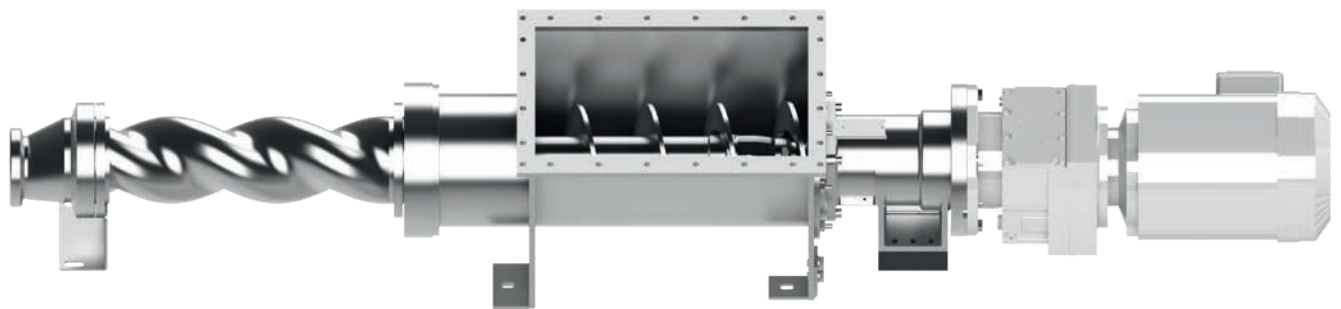
Features

- Self-priming pump
- Short assembly length
- Uniform metering with low pulsation



Details based on a medium with a viscosity of 1 mPas and a density of 1.0 kg/dm³

Pump size	Maximum completely free passage (mm)	Flowrate (l/h)	Maximum differential pressure (bar)
20	22	5 to 5.600	40
30	48	50 to 20.000	80
50	76	500 to 100.000	60



Application

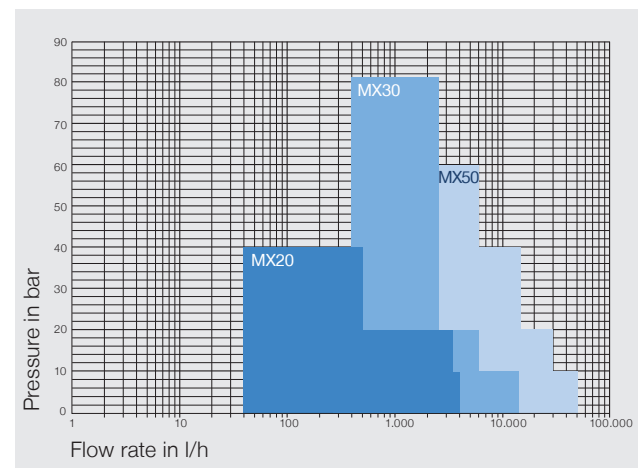
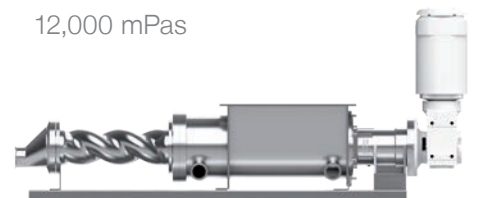
- Highly viscous to airtight media
- Suitable for media with a high solids content
- Metering and transferring applications

Features

- Conical screw conveyor ensures optimum emptying of the hopper floor
- Position of the mechanical seal ensures excellent cleanability
- Well-designed separation points for easy disassembly
- Trough shape prevents deposits from forming on the hopper walls
- Additional extension hopper can be adapted
- Reliable delivery of the medium to the pump assembly thanks to stable screw conveyor shortly before the pump assembly
- Overfeeding in the pump tunnel ensures efficient conveying

Example MX50R: Baked goods industry

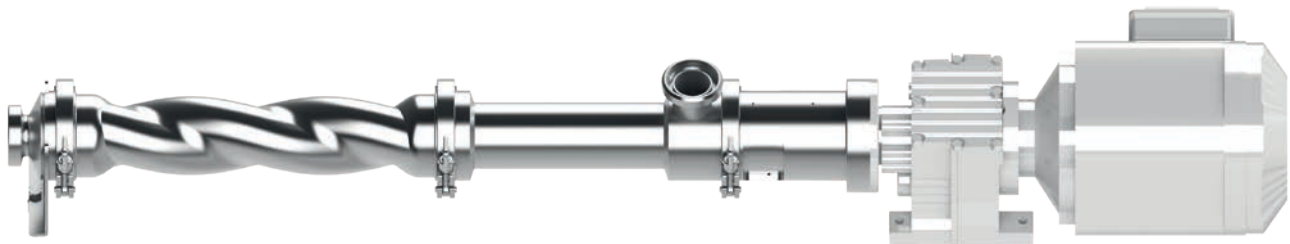
Medium: dough
 Flow rate: 5,800 l/h
 Pressure: 6 bar
 Viscosity: 12,000 mPas



Details based on a medium with a viscosity of 1 mPas and a density of 1.0 kg/dm³

MX-S

Pump size	Maximum completely free passage (mm)	Flowrate (l/h)	Maximum differential pressure (bar)
10	6	1 to 75	40
20	22	5 to 5.600	40
30	48	50 to 20.000	80
50	76	500 to 100.000	60

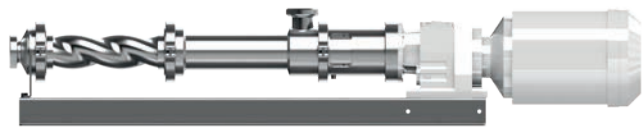


Application

- Metering and transferring applications
- Suitable for aqueous to highly viscous media
- Low-impact delivery of products containing solids

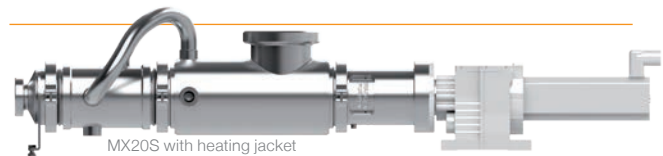
Features

- Vertical and horizontal configuration possible
- Can be used regardless of the direction of rotation
- Self-priming pump to 0.8 bar absolute
- Available as a mobile or stationary pump
- CIP and SIP cleaning possible
- Ability to control the temperature of the entire pump
- Short assembly length



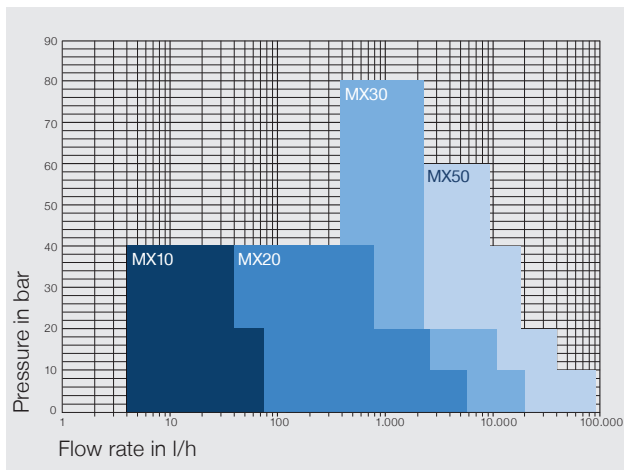
Example MX20S: Pet food industry

Medium: Meat Slurry
 Flow rate: 78 l/h
 Pressure: 10 bar
 Viscosity: 1,500 mPas



Example MX20S: Confectionary industry

Medium: fat / fruit puree
 Flow rate: 450 l/h
 Pressure: 7 bar
 Viscosity: 70,000 mPas



Details based on a medium with a viscosity of 1 mPas and a density of 1.0 kg/dm³



Example MX50S: Food industry

Medium: Dairy products
 Flow rate: 300 – 3,000 l/h
 Pressure: 30 bar
 Viscosity: 1,300 mPas

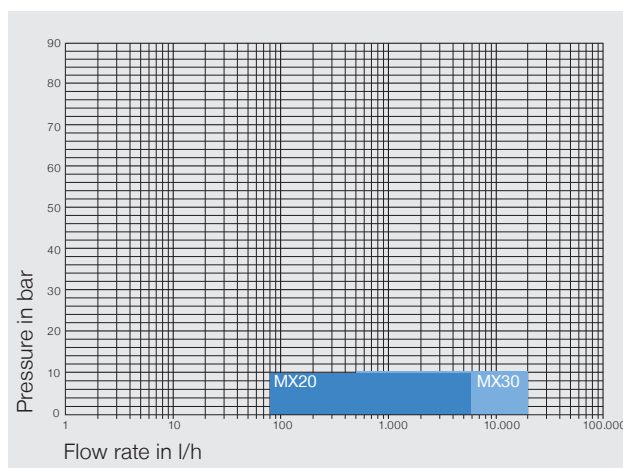
Pump size	Maximum completely free passage (mm)	Flowrate (l/h)	Maximum differential pressure (bar)
20	22	5 to 5.600	10
30	48	50 to 20.000	10

Application

- Metering and transferring applications
- Suitable for aqueous to highly viscous media
- Low-impact delivery of products containing solids

Features

- Easy to drain drums, mixers, agitators and big bags
- Short assembly length
- Cassette design with minimal dead space
- Uniform metering with low pulsation
- Quick and easy to clean



Details based on a medium with a viscosity of 1 mPas and a density of 1.0 kg/dm³

Options and Materials

Double jacket for tempering



Pump assembly with double jacket



Suction housing with double jacket



Hopper housing with double jacket

Base plates



Base plate in cap profile



Base plate with height adjustable feet



Hygienic base frame



Mobile base plate

Materials

Materials in contact with the product:

1.4571, 1.4404, 1.4301

Elastomer parts:

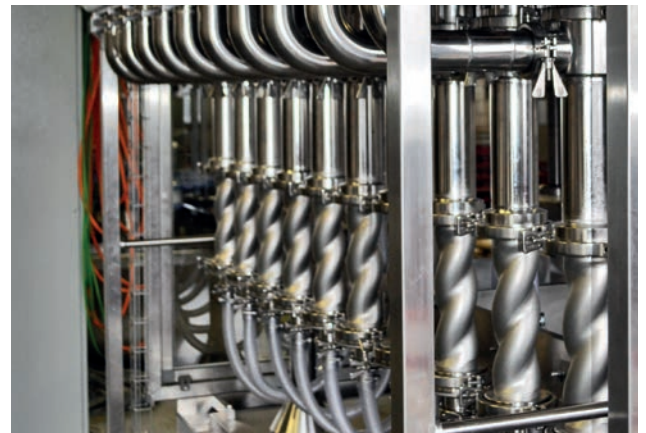
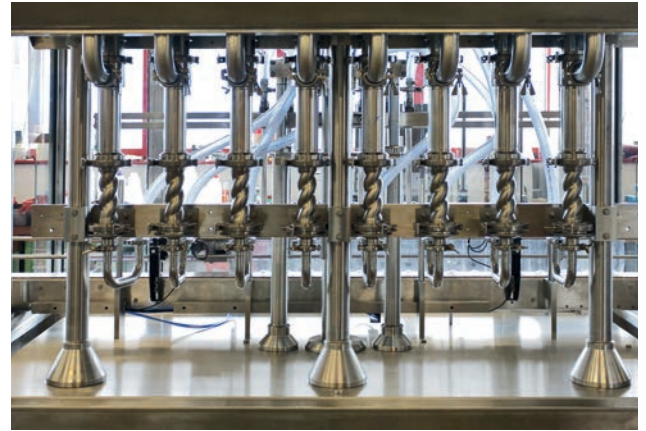
Elastomers in different qualities, with conformity FDA 21 CFR 177.2600 and EU 1935/2004

Connections:

DIN11851, DIN32676, DIN11864-1, DIN11864-2, DIN11864-3, DIN EN1092-1



The MX Pumps in Use






WANGEN PUMPEN is certified to:

- ISO 9001 (Quality management)
- ISO 14001 (Environmental management)
- ISO 45001 (Occupational safety and health protection)

Represented by:

KGO
Group Ltd.

"The Benefit of Experience"

Engineered pump & process systems 

2172 Wyecroft Road, Unit 4&5
Oakville, Ontario L6L 6R1
Canada

Tel: 905.847.1544
Fax: 905.847.1699
info@kgogroup.com

www.kgogroup.com



Pumpenfabrik Wangen GmbH

Simoniusstrasse 17
88239 Wangen im Allgäu
Germany
www.wangen.com

Technical advice: +49 7522 997-0
Service hotline: +49 7522 997-997
Spare parts: +49 7522 997-896