

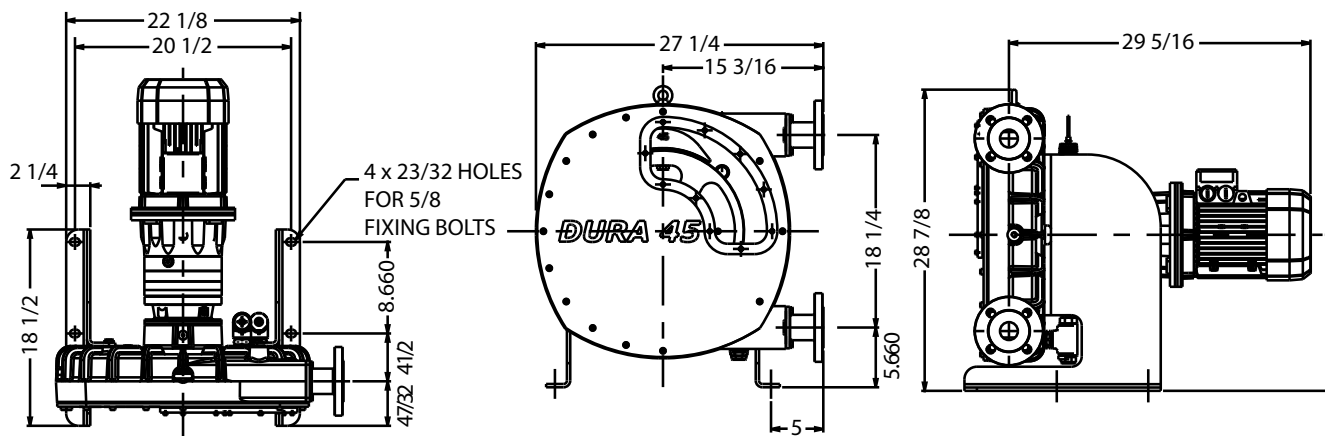
Verderflex

Dura 45



VERDERFLEX®

Description	Material	Paint Detail
Pump Housing	Cast Iron (GG25)	Green Powder Coated
Front Cover	Steel	Powder Coated
Window	Plexyglass	
Rotor	SG Iron	
Rotor shoes	Cast Aluminium, other materials to order	
Rotor attachment	Keyless Friction Bush	
Bearing Housing	Cast Iron	Green Powder Coated
Front bearing	Twin Row Spherical Roller	
Rear bearing	Deep Groove Ball Race	
Drive shaft	Heat treated steel	
Shaft Seals	Viton option PTFE	
Mounting Frame	Steel	Powder Coated
Hose options	Natural Rubber (NR) Options: Nitrile Buna Rubber (NBR) Ethylene Propylene Diene Monomer (EPDM), Hypalon® (CSM)	
Port Flange	316 Stainless Steel Universal slotted design complies with DIN PN16, ANSI 150# & JIS10K Options: 304 Stainless Steel with Polypropylene or P.V.D.F Insert	
Lubricant options	Verderlube - Glycerine based lubricant Verdersil - Silicone based lubricant	
Weight with typical GMU	353 lbs	



All dimensions are in inches.
All dimensions and weights are for guidance only.



Verderflex

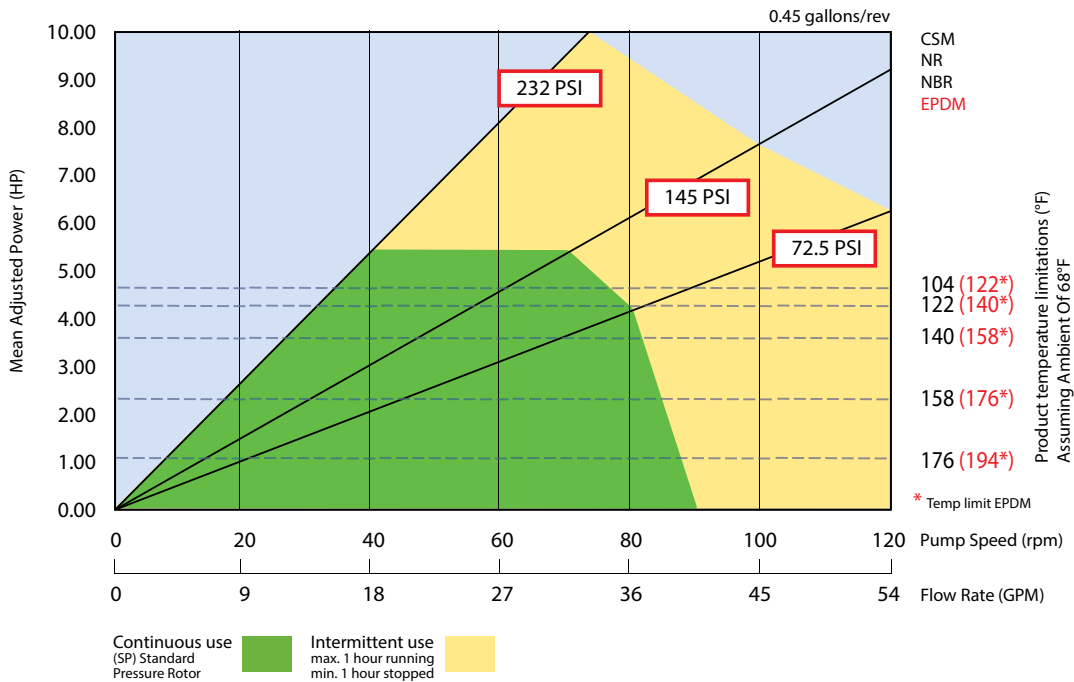
Dura 45



Standard Pump Options for 60Hz Motor Fitted With Planetary Gearbox, Suitable for Inverter Duty

Flow GPM	Pump Speed RPM	Maximum Pressure PSI
5.8	13	232
7.6	17	232
10.3	23	232
12.1	27	232
15.3	34	145
20.7	46	145
25.6	57	145
31.9	71	72.5
39.1	87*	72.5
43.1	96*	72.5

*Intermittent Duty Only



Any application below 15 Hz may require special review

Flows are typical and were measured with water at 68°F with no suction lift or discharge pressure. Actual flows will vary according to suction conditions, discharge pressure and normal component production tolerances.

DURA PUMPS OPERATING ABOVE 87 PSI REQUIRE CONSULTATION WITH MANUFACTURER OR DISTRIBUTOR.

Find your local supplier
at www.verderflex.com

For construction installation and floor mounting drawings
please contact your local authorised Verderflex® distributor.