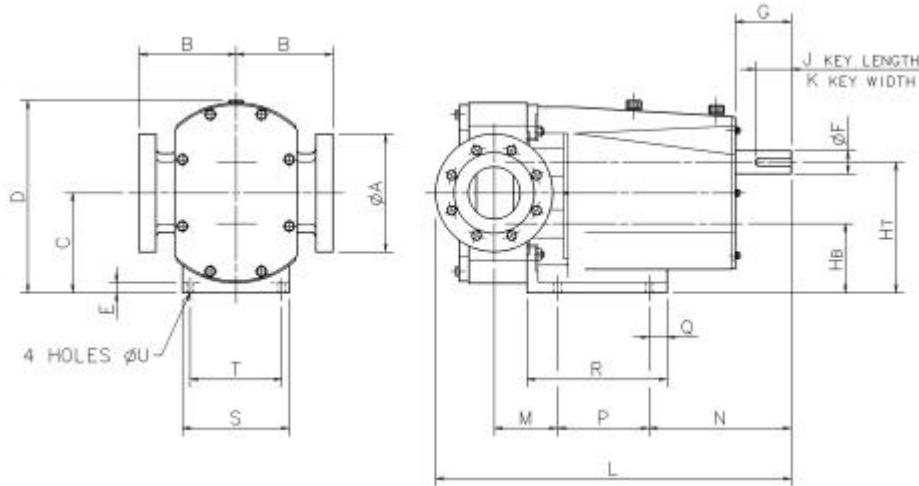




## Series D Pump Dimensions



Dimensions in mm

Pump Model	A	B	C	D	E	F	G	HB	HT	J	K	L	M	N	P	Q	R	S	T	U
D4-0079-H15	80	170	163	307	20	38	80	115	211	63	10	593	118	225	150	35	255	184	150	14
D4-0095-H10	80	170	163	307	20	38	80	115	211	63	10	597	122	225	150	35	255	184	150	14
D4-0095-H05	80	170	163	307	20	38	80	115	211	63	10	597	122	225	150	35	255	184	150	14
D4-0140-H05	100	170	163	307	20	38	80	115	211	63	10	628	138	225	150	35	255	184	150	14
D5-0168-H15	100	190	195	371	20	45	110	135	255	70	14	692	118	279	180	35	275	210	180	14
D5-0200-H10	100	190	195	371	20	45	110	135	255	70	14	699	125	279	180	35	275	210	180	14
D5-0200-H05	100	190	195	371	20	45	110	135	255	70	14	699	125	279	180	35	275	210	180	14
D5-0290-H05	100	190	195	371	20	45	110	135	255	70	14	719	145	279	180	35	275	210	180	14
D5-0290-H05	150	190	195	371	20	45	110	135	255	70	14	747	145	279	180	35	275	210	180	14
D6-0353-H15	150	225	225	429	20	48	110	155	295	70	14	822	153	266	260	40	370	220	190	14
D6-0420-H10	150	225	225	429	20	48	110	155	295	70	14	832	163	266	260	40	370	220	190	14
D6-0420-H05	150	225	225	429	20	48	110	155	295	70	14	832	163	266	260	40	370	220	190	14
D6-0600-H05	150	225	225	429	20	48	110	155	295	70	14	857	188	266	260	40	370	220	190	14

Dimensions in inches

Pump Model	A	B	C	D	E	F	G	HB	HT	J	K	L	M	N	P	Q	R	S	T	U
D4-0079-H15	3.00	6.69	6.42	12.09	0.79	1.50	3.15	4.53	8.31	2.48	0.39	23.35	4.65	8.86	5.91	1.38	10.04	7.24	5.91	0.55
D4-0095-H10	3.00	6.69	6.42	12.09	0.79	1.50	3.15	4.53	8.31	2.48	0.39	23.50	4.80	8.86	5.91	1.38	10.04	7.24	5.91	0.55
D4-0095-H05	3.00	6.69	6.42	12.09	0.79	1.50	3.15	4.53	8.31	2.48	0.39	23.50	4.80	8.86	5.91	1.38	10.04	7.24	5.91	0.55
D4-0140-H05	4.00	6.69	6.42	12.09	0.79	1.50	3.15	4.53	8.31	2.48	0.39	24.72	5.43	8.86	5.91	1.38	10.04	7.24	5.91	0.55
D5-0168-H15	4.00	7.48	7.68	14.61	0.79	1.77	4.33	5.31	10.04	2.76	0.55	27.24	4.65	10.98	7.09	1.38	10.83	8.27	7.09	0.55
D5-0200-H10	4.00	7.48	7.68	14.61	0.79	1.77	4.33	5.31	10.04	2.76	0.55	27.52	4.92	10.98	7.09	1.38	10.83	8.27	7.09	0.55
D5-0200-H05	4.00	7.48	7.68	14.61	0.79	1.77	4.33	5.31	10.04	2.76	0.55	27.52	4.92	10.98	7.09	1.38	10.83	8.27	7.09	0.55
D5-0290-H05	4.00	7.48	7.68	14.61	0.79	1.77	4.33	5.31	10.04	2.76	0.55	28.31	5.71	10.98	7.09	1.38	10.83	8.27	7.09	0.55
D5-0290-H05	6.00	7.48	7.68	14.61	0.79	1.77	4.33	5.31	10.04	2.76	0.55	29.41	5.71	10.98	7.09	1.38	10.83	8.27	7.09	0.55
D6-0353-H15	6.00	8.86	8.86	16.89	0.79	1.89	4.33	6.10	11.61	2.76	0.55	32.36	6.02	10.47	10.24	1.57	14.57	8.66	7.48	0.55
D6-0420-H10	6.00	8.86	8.86	16.89	0.79	1.89	4.33	6.10	11.61	2.76	0.55	32.76	6.42	10.47	10.24	1.57	14.57	8.66	7.48	0.55
D6-0420-H05	6.00	8.86	8.86	16.89	0.79	1.89	4.33	6.10	11.61	2.76	0.55	32.76	6.42	10.47	10.24	1.57	14.57	8.66	7.48	0.55
D6-0600-H05	6.00	8.86	8.86	16.89	0.79	1.89	4.33	6.10	11.61	2.76	0.55	33.74	7.40	10.47	10.24	1.57	14.57	8.66	7.48	0.55

Represented By:

**KGO Group Ltd.**  
www.kgogroup.com

1200 Speers Rd., #52  
Oakville, ON  
Canada L6L 2X4

*The information contained herein is correct at the time of issue, but may be subject to change without prior notice*