



User Benefits

- High efficiency
- Low energy consumption
- Compact size
- Reversible operation
- Hygienic design
- Easy maintenance

Series M

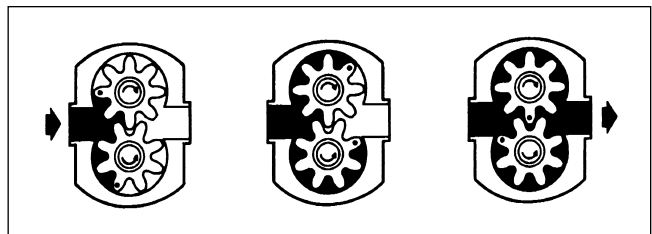
Gear Pumps for low volume filling applications

SSP Series M stainless steel gear pumps have been designed for low volume fluid transfer duties for application areas such as filling machines, dosing and sampling, throughout Chemical, Food, Pharmaceutical and other related industries.

Stainless steel and PTFE components combined in a traditional gear pump construction provide easy cleaning and simple maintenance.

Operation

The positive displacement of the Series M pump is provided by contacting, contra rotating gears within a fully swept pump chamber. Series M pumps are capable of bi-rotational flow without modification.



Performance

The Series M pump range has three pump head sizes.

- Flow rates up to 1500 l/h
- Differential pressures up to 7 bar

Basic Design

The Series M pump has three alternative pumphead sizes, housing pumping gears manufactured from PTFE impregnated 316 type stainless steel. The gears are mounted between specially developed PTFE bearings, all fitted within the main pump body manufactured from 316 type stainless steel ensuring precision alignment.

All components are fully machined internally and externally to a high standard of finish. By releasing two hand nuts the three piece housing construction and all components can be easily dismantled. Shaft assemblies including mechanical seals can be withdrawn through the front of the pump. Standard pump build is suitable for temperatures up to 60°C with option of modified pump build for temperatures up to 100°C.

The pumps incorporate a location for mounting via a bracket to a frame size 71 or 80 flange motor, giving a freestanding unit.

Pump Performance (viscosity 65 cP)

Pump Model	Speed rev/min	0 bar			2 bar			4 bar			6 bar			7 bar		
		Capacity l/h	Power kW	Motor Frame	Capacity l/h	Power kW	Motor Frame	Capacity l/h	Power kW	Motor Frame	Capacity l/h	Power kW	Motor Frame	Capacity l/h	Power kW	Motor Frame
M2-000S-H07	690	250	0.12	71	225	0.12	71	195	0.12	71	160	0.12	71	145	0.12	71
	900	325	0.18	71	295	0.18	71	255	0.18	71	210	0.18	71	190	0.25	80
	1360	485	0.25	71	440	0.25	71	380	0.25	71	-	-	-	-	-	-
M2-000M-H07	690	400	0.12	71	390	0.12	71	370	0.12	71	358	0.18	80	345	0.18	80
	900	525	0.18	71	515	0.18	71	490	0.18	71	470	0.25	80	455	0.25	80
	1360	780	0.25	71	770	0.25	71	735	0.25	71	-	-	-	-	-	-
M2-000L-H04	690	770	0.12	71	735	0.12	71	690	0.18	80	-	-	-	-	-	-
	900	1000	0.18	71	960	0.18	71	900	0.25	80	-	-	-	-	-	-
	1360	1500	0.25	71	1440	0.25	71	-	-	-	-	-	-	-	-	-

Pump Model	Inlet and Outlet Connection Size (International Standards) mm	Maximum Capacity at viscosity 65 cP l/h	Differential Pressure bar	Maximum Speed rev/min	Weight		
					Bare Shaft Pump kg	Pump with 71 motor frame kg	Pump with 80 motor frame kg
M2-000S-H07	25	485	7	1360	2.0	9.7	13.6
M2-000M-H07	25	780	7	1360	2.2	9.9	13.8
M2-000L-H04	25	1500	4	1360	2.9	10.5	14.4

Specification Options



Pumped media seals

Single mechanical seals are fitted for maximum leakage control and hard faced seal materials such as silicon carbide are also available.

Pumped media wetted elastomers are EPDM, NBR, FPM or PTFE for chemical applications.

Connections

The Series M pump in standard specification has screwed male 1 in (25 mm) inlet and outlet connections with comprehensive choice of BSP, DIN11851, IAMD/3A, ISS/IDF, NPT, RJT, SMS, Tri-clamp and more.

Option of size 1/2 in BSP screwed female inlet and outlet connections.

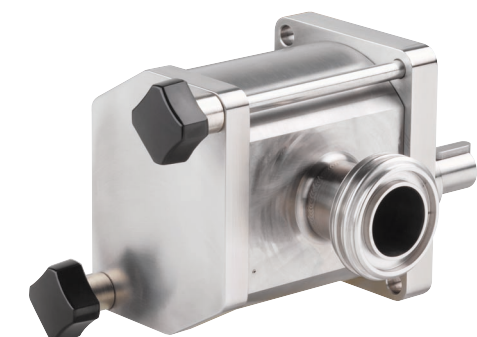
Motors

Motors of all voltages and frequencies can be supplied to order.

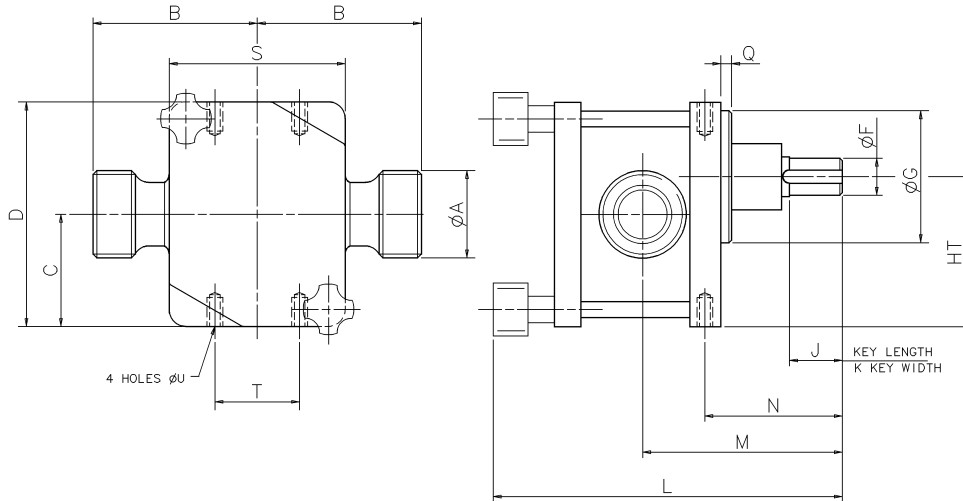
Mounting

Bare shaft pumps are available for foot mounting.

Series M



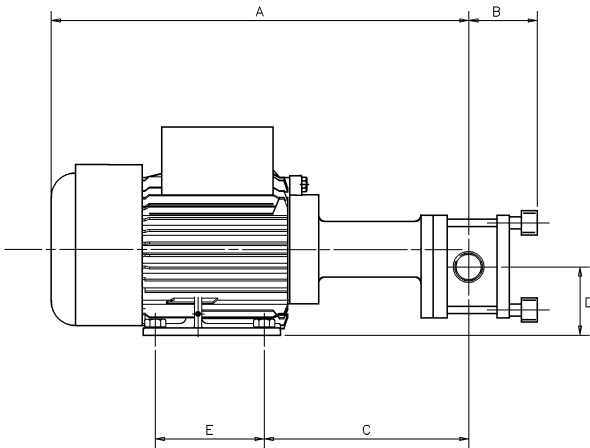
Bareshaft Pump Dimensions



All dimensions in mm

Pump Model	A	BSPT, IAMD/3A, NPT	BSP, ISS/IDF, RJT, SMS, Tri-clamp	B DIN	1/2 in BSP female	C	D	F	G	HT	J	K	L	M	N	Q	S	T	U
M2-000S-H07	25	60	62	65	55	42.3	85	14	50	57	20	5	132	75.5	52	3	66	32	6
M2-000M-H07	25	60	62	65	55	42.3	85	14	50	57	20	5	132	75.5	52	3	66	32	6
M2-000L-H04	25	60	62	65	55	42.3	85	14	50	57	20	5	159	95	52	3	66	32	6

Motorised Pump Dimensions



All dimensions in mm

Pump Model	A	B	C	D	E
M2-000S-H07	345	56.5	169	56.3	90
M2-000M-H07	345	56.5	169	56.3	90
M2-000L-H04	345	68	182	56.3	90

Represented By:

KGGO Group Ltd.
www.kgogroup.com

1200 Speers Rd., #52
Oakville, ON
Canada L6L 2X4



Alfa Laval Pumps Limited
www.ssppumps.com

Tel. (905)847-1544 Fax. (905)847-1699 Email. info@kgogroup.com