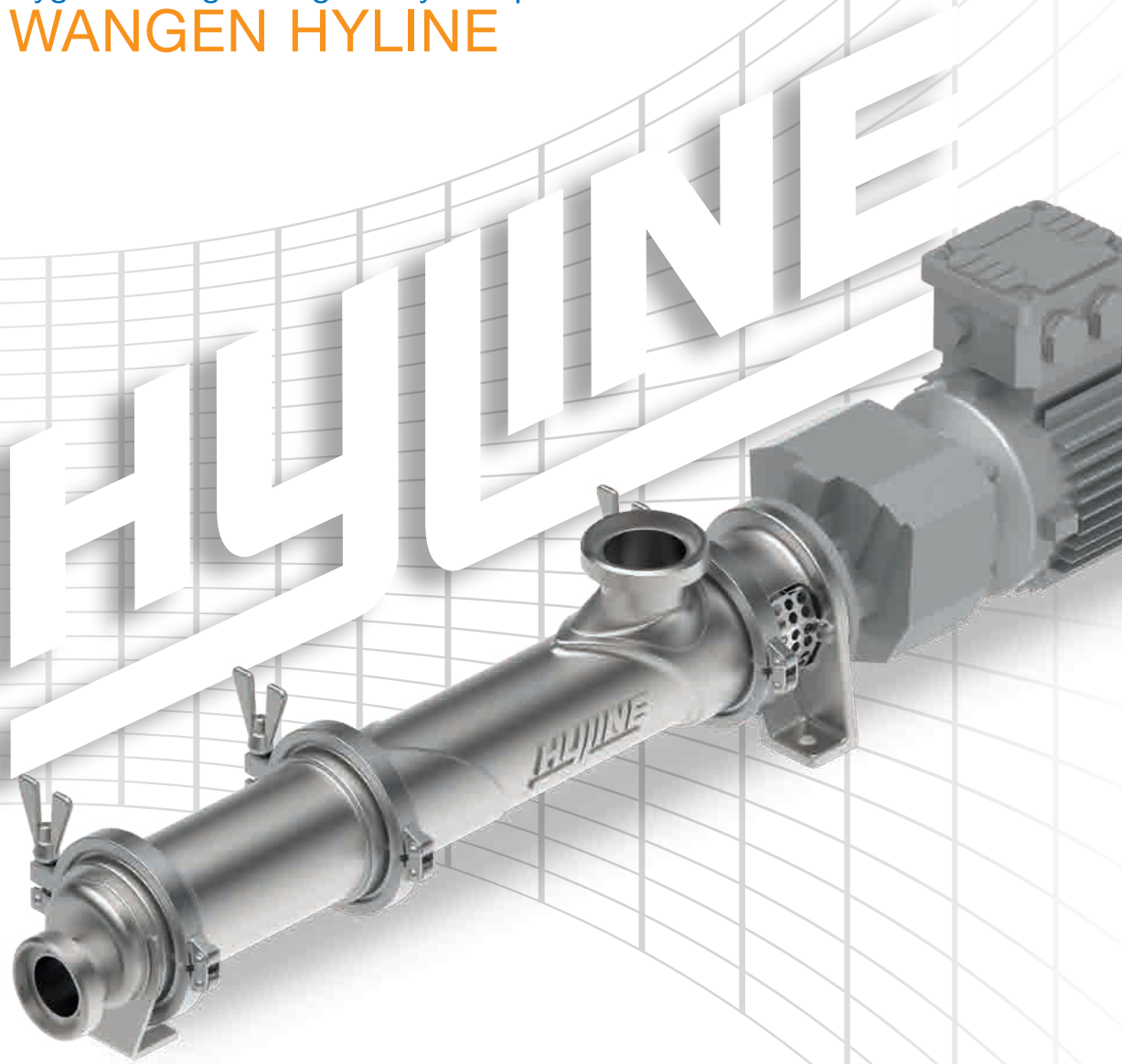




Hygienic Progressing Cavity Pump
WANGEN HYLINE



For hygienic conveying and dosing in
the food & beverage-, cosmetics- and
pharmaceutical industry

WANGEN HYLINE

Features and characteristics

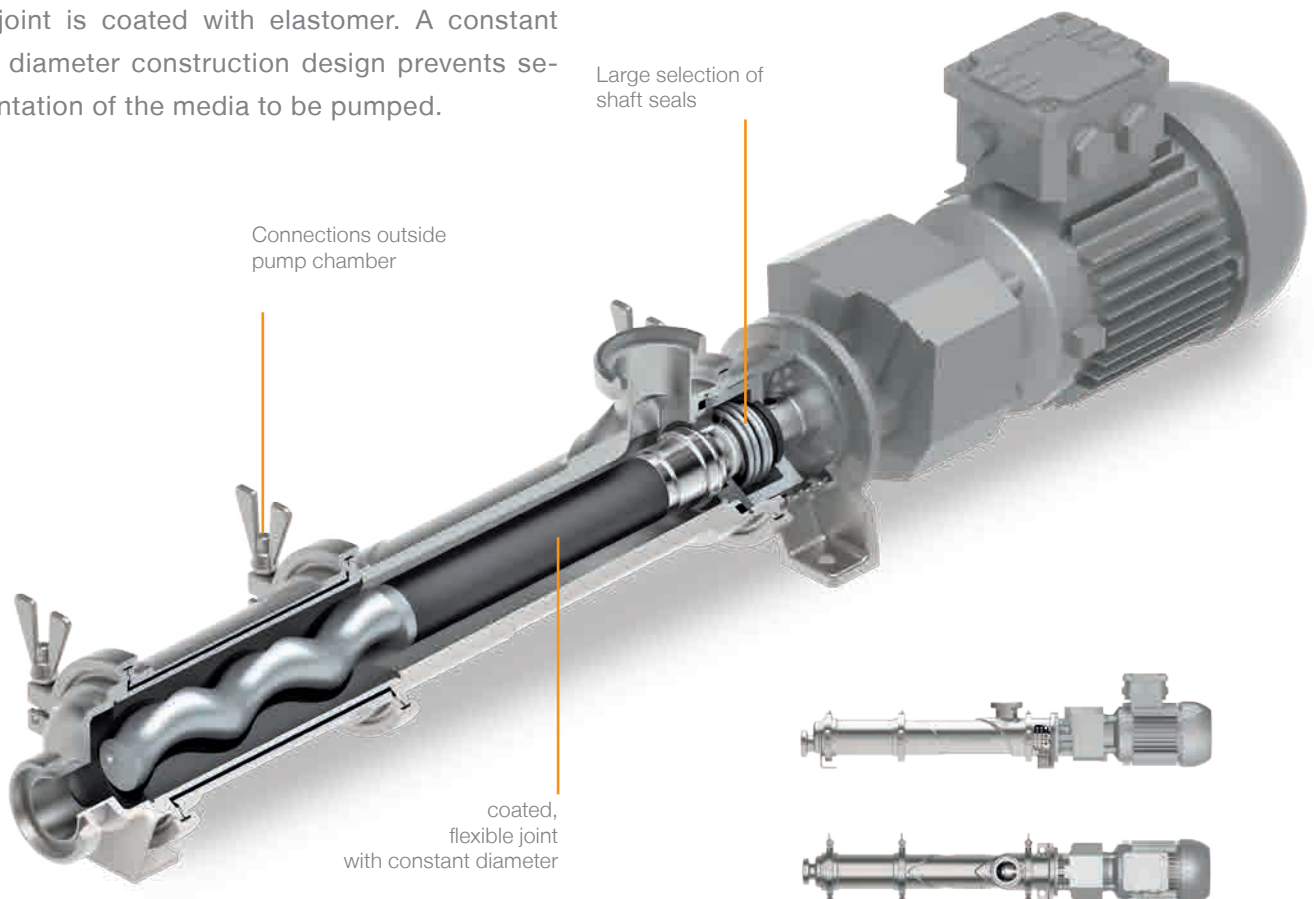
The WANGEN HYLINE is designed by WANGEN PUMPEN to ensure optimal performance and operational reliability.

The hygienic-related design of the WANGEN HYLINE was implemented according to the strict GMP (Good Manufacturing Practice) Directives, which are assuming an increasingly important role in the food, pharmaceutical and cosmetics sectors. For this purpose, as is usual with WANGEN PUMPEN, special value is placed on quality - and this means on lifetime duration.

Hygienic Highlight: The flexible and maintenance-free joint is coated with elastomer. A constant shaft diameter construction design prevents sedimentation of the media to be pumped.

In order to enable the conveyance of a wide spectrum of media, a large selection of single-acting and double-acting shaft seals are available for the HYLINE, such as the encapsulated seals, single acting seal with elastomer bellows or gland packing.

The intelligent design of this hygienic pump requires no additional seals in the product chamber. Pump disassembly is easily carried out by removing all pump component connections outside the product chamber.



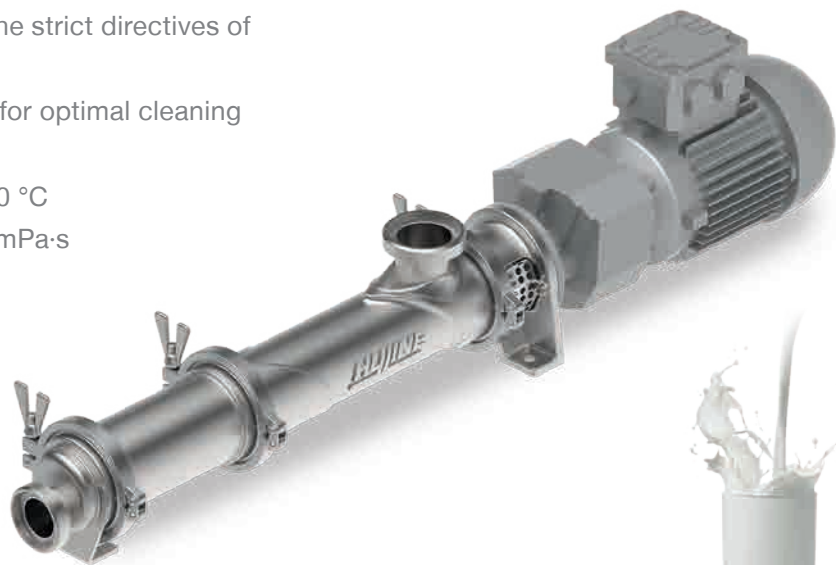
Technical data and properties

Performance data WANGEN HYLINE

Pump size	Maximum completely free passage (mm)	Flowrate (m ³ /h)	Maximum differential pressure (bar)
20	26	0,02 up to 7	20

Characteristics:

- Designed according to the strict directives of EHEDG, 3A and GMP
- Low dead space design for optimal cleaning capability
- Temperature -30 °C - 140 °C
- Viscosity up to 100.000 mPa·s



Conveying media:

- Dairy products, such as butter, margarine, milk, yoghurt, processed cheese
- Drinks, such as fruit juice, beer
- Confectionery, such as chocolate, liquid sugar, marzipan, waffle mass, fondant mass or glazes
- Mustard, ketchup, mayonnaise, soy sauce or tomato pureé
- Pastes
- Honey, caramel or gelatine
- Ice cream, jam
- Pet food
- Cosmetics, such as shampoo, face cream or soap
- Pharmaceutical products





Online Newsletter

Subscribe now and be informed!

Go to www.wangen.com



Tested quality

WANGEN PUMPEN Quality management is certified to ISO 9001:2008



Certified sustainability

The WANGEN PUMPEN environmental management is certified according to ISO 14001:2004.



Represented by:



KGO Group Ltd.
www.kgogroup.com
"The Benefit of Experience"
1200 Speers Rd., Unit 52 | Oakville | Ontario | L6L 2X4 | Canada
Tel: 905.847.1544 | Fax: 905.847.1699 | info@kgogroup.com