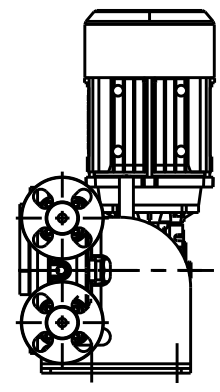
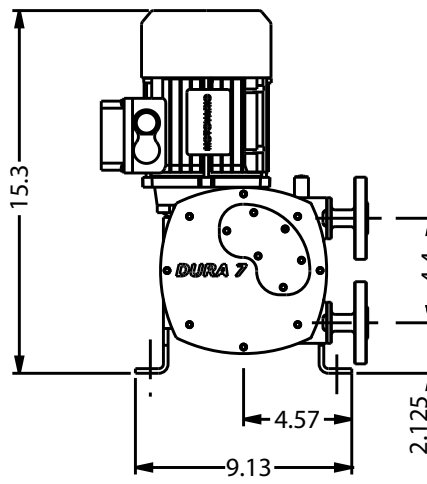
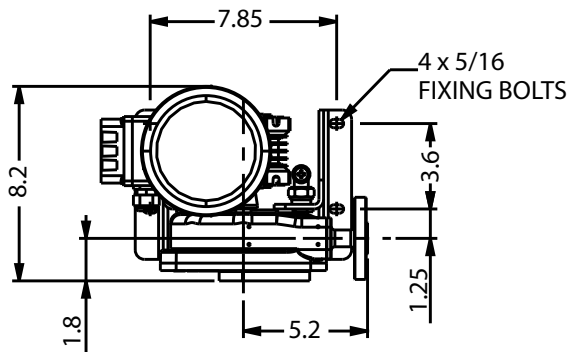


# Verderflex Dura 7



**VERDERFLEX®**

Description	Material	Paint Detail
Pump Housing	Cast Iron (GG25)	Green Powder Coated
Front Cover	Carbon Steel with Plexiglass Inspection Window	Powder Coated
Rotor	Cast Iron (GG25)	
Drive Shaft	EN24T Steel	
Port Flange	304 Stainless Steel slotted design fits to DIN PN16, ANSI 150# & JIS10K Insert Options: 316 Stainless Steel, Polypropylene or P.V.D.F Insert	
Mounting Frame	Carbon Steel	Powder Coated
Torque Arm	Carbon Steel	Powder Coated
Bearing	Bearing Steel	
Shaft Seal	Viton Option: PTFE	
Lubricant	Verderlube - Glycerine based lubricant Verdersil - Silicone based lubricant	
Hose	Natural Rubber (NR) Options: Nitrile Buna Rubber (NBR) and Hypalon® (CSM)	
Weight	Complete pump excluding drive: 42 lbs	



All dimensions are in inches.  
All dimensions and weights are for guidance only.

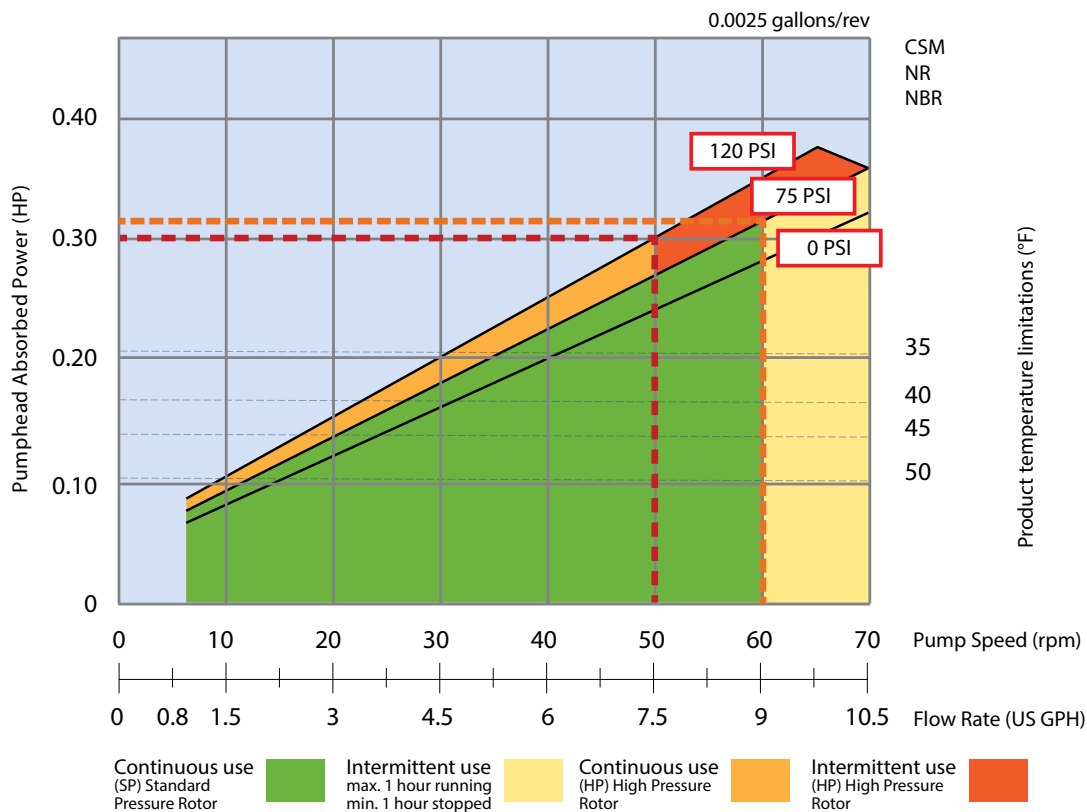


# Verderflex Dura 7



## Standard Pump Options for 60Hz Motor Fitted With Worm Gearbox, Suitable for Inverter Duty

Flow GPH	Pump Speed RPM	Maximum Pressure PSI
6,4	35	116
8,1	44	116
10,7	58	116
12,9	70	116
16,2	88	116



Flows are typical and were measured with water at 68°F with no suction lift or discharge pressure. Actual flows will vary according to suction conditions, discharge pressure and normal component production tolerances.

VF\_Techno\_Rev01\_2013\_(us)\_Dura

**Find your local supplier  
at [www.verderflex.com](http://www.verderflex.com)**

For construction installation and floor mounting drawings please contact your local authorised Verderflex® distributor.

**VERDER**  
passion for pumps