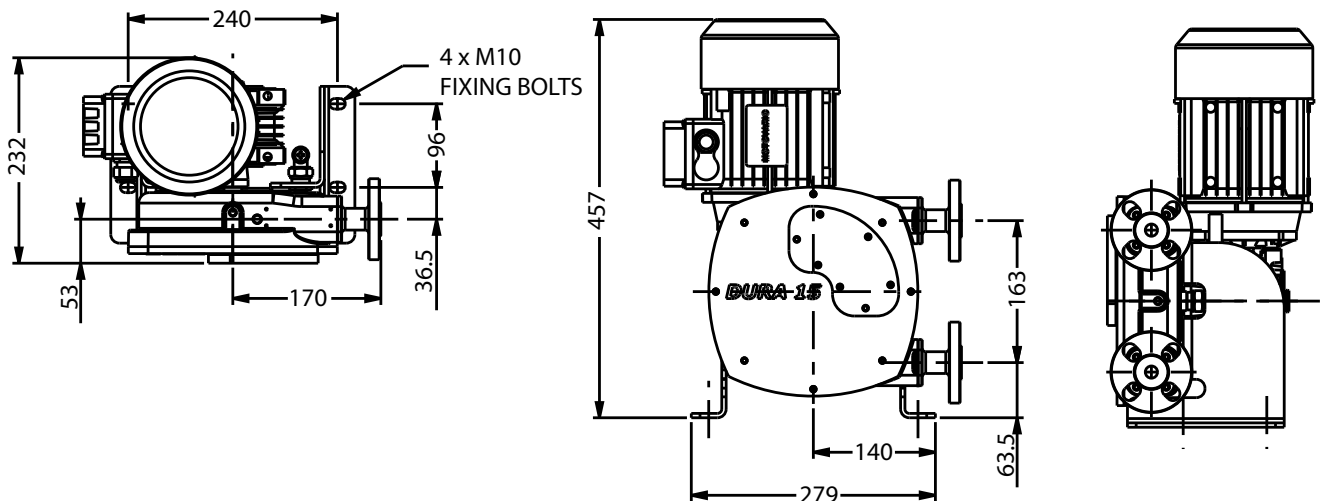


Verderflex Dura 15



VERDERFLEX®

| Description | Material | Paint Detail |
|----------------|--|---------------------|
| Pump Housing | Cast Iron (GG25) | Green Powder Coated |
| Front Cover | Carbon Steel with Plexiglass Inspection Window | Powder Coated |
| Rotor | Cast Iron (GG25) Option: Aluminium (LM25) | |
| Drive Shaft | EN24T Steel | |
| Port Flange | 316 Stainless Steel Universal slotted design fits with DIN PN16, ANSI 150# & JIS10K Options: 316 Stainless Steel with Hose Tail Connection 304 Stainless Steel with Polypropylene or P.V.D.F Insert | |
| Mounting Frame | Carbon Steel | Powder Coated |
| Torque Arm | Carbon Steel | Powder Coated |
| Bearing | Bearing Steel | |
| Shaft Seal | Viton Option: PTFE | |
| Lubricant | Verderlube - Glycerine based lubricant Verdersil - Silicone based lubricant | |
| Hose | Natural Rubber (NR) Options: Nitrile Buna Rubber (NBR) Ethylene Propylene Diene Monomer (EPDM), Food Grade Nitrile Buna (NBRF), Hypalon® (CSM) and Verderprene | |
| Weight | Complete pump excluding drive: 30 kg | |



All dimensions are in mm.
All dimensions and weights are for guidance only.

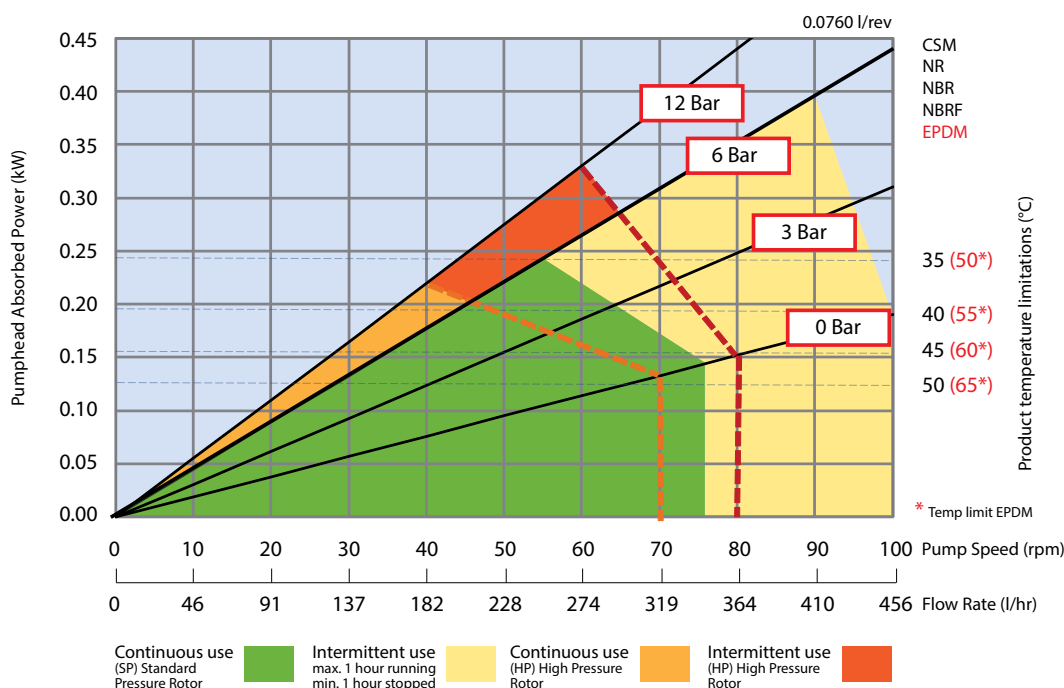


Verderflex Dura 15



Standard Pump Options for 50Hz Motor Fitted With Worm Gearbox, Suitable for Inverter Duty

| Flow l/hr | Pump Speed RPM | Installed Motor Power kW | Max Turndown at 6 Bar discharge pressure |
|-----------|----------------|--------------------------|--|
| 50 | 11 | 0.18 | 2:1 |
| 82 | 18 | 0.25 | 2:1 |
| 127 | 28 | 0.37 | 5:1 |
| 159 | 35 | 0.37 | 2:1 |
| 214 | 47 | 0.55 | 3:1 |
| 255 | 56 | 0.55 | 5:1 |
| 319 | 70 | 0.75 | 10:1 |



Any application below 15 Hz may require special review

Flows are typical and were measured with water at 20°C with no suction lift or discharge pressure. Actual flows will vary according to suction conditions, discharge pressure and normal component production tolerances.

DURA PUMPS OPERATING ABOVE 6 BAR REQUIRE CONSULTATION WITH MANUFACTURER OR DISTRIBUTOR.

Find your local supplier
at www.verderflex.com

For construction installation and floor mounting drawings
please contact your local authorised Verderflex® distributor.

VERDER
passion for pumps