

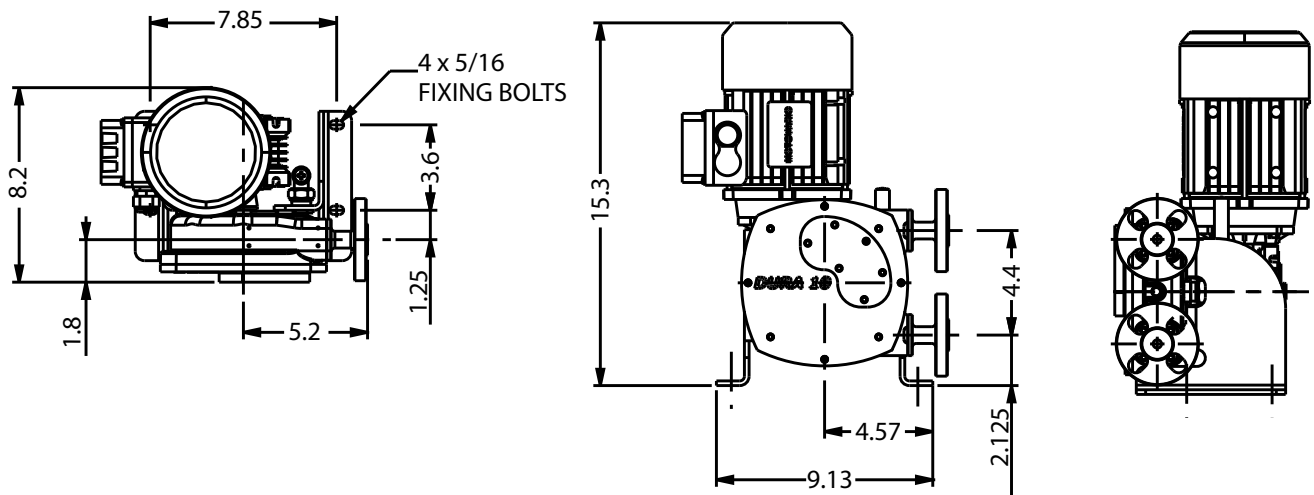
Verderflex

Dura 10



VERDERFLEX®

Description	Material	Paint Detail
Pump Housing	Cast Iron (GG25)	Green Powder Coated
Front Cover	Carbon Steel with Plexiglass Inspection Window	Powder Coated
Rotor	Cast Iron (GG25) Option: Aluminium (LM25)	
Drive Shaft	EN24T Steel	
Port Flange	316 Stainless Steel Universal slotted design fits with DIN PN16, ANSI 150# & JIS10K Options: 316 Stainless Steel with Hose Tail Connection 304 Stainless Steel with Polypropylene or P.V.D.F Insert	
Mounting Frame	Carbon Steel	Powder Coated
Torque Arm	Carbon Steel	Powder Coated
Bearing	Bearing Steel	
Shaft Seal	Viton Option: PTFE	
Lubricant	Verderlube - Glycerine based lubricant Verdersil - Silicone based lubricant	
Hose	Natural Rubber (NR) Options: Nitrile Buna Rubber (NBR) Ethylene Propylene Diene Monomer (EPDM), Hypalon® (CSM) and Verderprene	
Weight	Complete pump excluding drive: 42 lbs	



All dimensions are in inches.
All dimensions and weights are for guidance only.



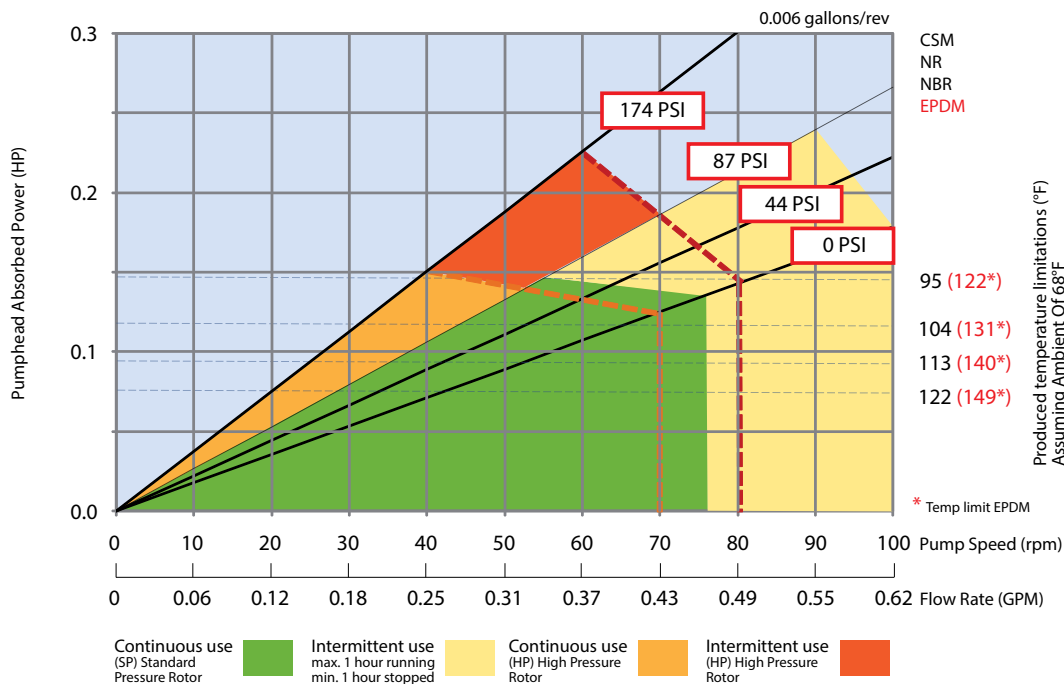
Verderflex Dura 10



Standard Pump Options for 60Hz Motor Fitted With Worm Gearbox, Suitable for Inverter Duty

Flow GPM	Pump Speed RPM	Maximum Pressure PSI
0.13	35	174
0.2	44	174
0.26	58	174
0.35	70	174
0.41	88*	174

*Intermittent Duty Only



Any application below 15 Hz may require special review

Flows are typical and were measured with water at 68°F with no suction lift or discharge pressure. Actual flows will vary according to suction conditions, discharge pressure and normal component production tolerances.

DURA PUMPS OPERATING ABOVE 87 PSI REQUIRE CONSULTATION WITH MANUFACTURER OR DISTRIBUTOR.

Find your local supplier
at www.verderflex.com

For construction installation and floor mounting drawings
please contact your local authorised Verderflex® distributor.

VERDER
passion for pumps