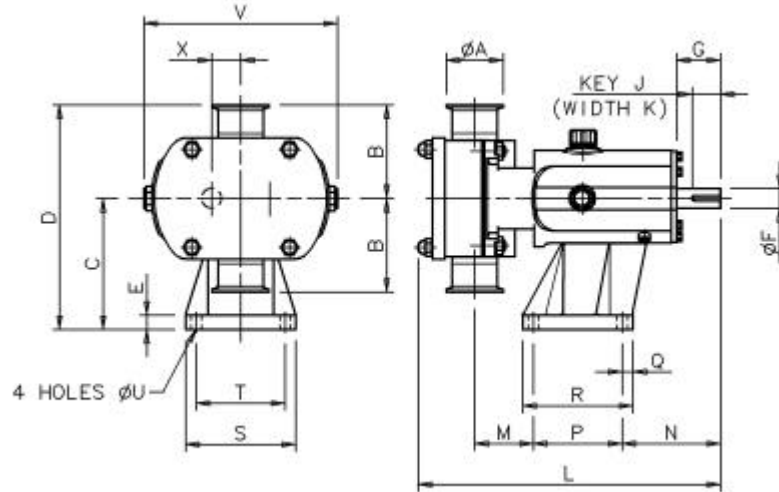




Series X Pump Dimensions (Vertical Ports)



Dimensions in mm

Pump Model	A	B	C	D	E	F	G	J	K	L	M	N	P	Q	R	S	T	U	V	X
X1-0005-U12 or V12	25	95	113	208	15	16	40	30	5	281	53	100	80	22	114	104	80	10	174	23.5
X1-0007-U07 or V07	40	95	113	208	15	16	40	30	5	294	60	100	80	22	114	104	80	10	174	23.5
X2-0013-U15 or V15	40	105	147	252	15	22	50	32	6	325	59	111	100	12	124	124	100	12	213	32.5
X2-0018-U07 or V07	50	105	147	252	15	22	50	32	6	341	66	111	100	12	124	124	100	12	213	32.5
X3-0027-U15 or V15	50	125	175	300	22	28	61	40	8	431	71	142	155	15	185	155	125	14	246	37.5
X3-0035-U07 or V07	65	125	175	300	22	28	61	40	8	447	77	142	155	15	185	155	125	14	246	37.5
X4-0046-U15 or V15	50	150	213	363	25	38	80	63	10	514	74	174	200	17	234	184	150	14	301	49.5
X4-0063-U10 or V10	65	150	213	363	25	38	80	63	10	533	81	174	200	17	234	184	150	14	301	49.5
X5-0082-V15	65	175	257	432	30	45	110	70	14	599	61	264	200	20	240	220	180	14	344	60
X5-0115-V10	80	175	257	432	30	45	110	70	14	626	81	264	200	20	240	220	180	14	344	60
X6-0140-V15	80	190	295	485	30	48	110	70	14	687	77	267	260	20	300	250	210	14	400	70
X6-0190-V10	100	190	295	485	30	48	110	70	14	715	89	267	260	20	300	250	210	14	400	70
X7-0250-V15	100	205	365	570	30	60	110	90	18	763	94	288	280	25	330	290	240	18	475	81.5
X7-0380-V10	150	205	365	570	30	60	110	90	18	817	121	288	280	25	330	290	240	18	475	81.5

Dimensions in inches

Pump Model	A	B	C	D	E	F	G	J	K	L	M	N	P	Q	R	S	T	U	V	X
X1-0005-U12 or V12	1.00	3.74	4.45	8.19	0.59	0.63	1.57	1.18	0.20	11.06	2.09	3.94	3.15	0.87	4.49	4.09	3.15	0.39	6.85	0.93
X1-0007-U07 or V07	1.50	3.74	4.45	8.19	0.59	0.63	1.57	1.18	0.20	11.57	2.36	3.94	3.15	0.87	4.49	4.09	3.15	0.39	6.85	0.93
X2-0013-U15 or V15	1.50	4.13	5.79	9.92	0.59	0.87	1.97	1.26	0.24	12.80	2.32	4.37	3.94	0.47	4.88	4.88	3.94	0.47	8.39	1.28
X2-0018-U07 or V07	2.00	4.13	5.79	9.92	0.59	0.87	1.97	1.26	0.24	13.43	2.60	4.37	3.94	0.47	4.88	4.88	3.94	0.47	8.39	1.28
X3-0027-U15 or V15	2.00	4.92	6.89	11.81	0.87	1.10	2.40	1.57	0.31	16.97	2.80	5.59	6.10	0.59	7.28	6.10	4.92	0.55	9.69	1.48
X3-0035-U07 or V07	2.50	4.92	6.89	11.81	0.87	1.10	2.40	1.57	0.31	17.60	3.03	5.59	6.10	0.59	7.28	6.10	4.92	0.55	9.69	1.48
X4-0046-U15 or V15	2.00	5.91	8.39	14.29	0.98	1.50	3.15	2.48	0.39	20.24	2.91	6.85	7.87	0.67	9.21	7.24	5.91	0.55	11.85	1.95
X4-0063-U10 or V10	2.50	5.91	8.39	14.29	0.98	1.50	3.15	2.48	0.39	20.98	3.19	6.85	7.87	0.67	9.21	7.24	5.91	0.55	11.85	1.95
X5-0082-V15	2.50	6.89	10.10	16.99	1.18	1.77	4.33	2.76	0.55	23.58	2.40	10.39	7.87	0.79	9.45	8.66	7.09	0.55	13.54	2.36
X5-0115-V10	3.00	6.89	10.10	16.99	1.18	1.77	4.33	2.76	0.55	24.65	3.19	10.39	7.87	0.79	9.45	8.66	7.09	0.55	13.54	2.36
X6-0140-V15	3.00	7.48	11.61	19.09	1.18	1.89	4.33	2.76	0.55	27.05	3.03	10.51	10.24	0.79	11.81	9.84	8.27	0.55	15.75	2.76
X6-0190-V10	4.00	7.48	11.61	19.09	1.18	1.89	4.33	2.76	0.55	28.15	3.50	10.51	10.24	0.79	11.81	9.84	8.27	0.55	15.75	2.76
X7-0250-V15	4.00	8.07	14.37	22.44	1.18	2.36	4.33	3.54	0.71	30.04	3.70	11.34	11.02	0.98	12.99	11.42	9.45	0.71	18.70	3.21
X7-0380-V10	6.00	8.07	14.37	22.44	1.18	2.36	4.33	3.54	0.71	32.17	4.76	11.34	11.02	0.98	12.99	11.42	9.45	0.71	18.70	3.21

Represented By:

KGO Group Ltd.
www.kgogroup.com

1200 Speers Rd., #52
Oakville, ON
Canada L6L 2X4

The information contained herein is correct at the time of issue, but may be subject to change without prior notice