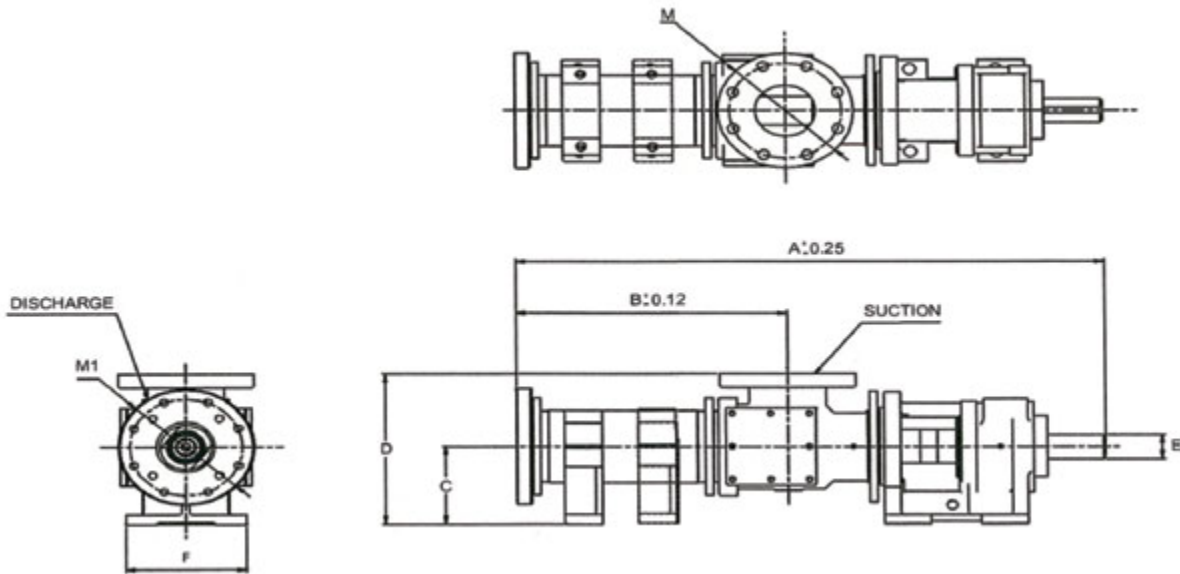


# TripKO T2K Series Dimensions



## DIMENSIONS

MODEL	STANDARD PUMP DIMENSIONS						SUCTION FLANGE		DISCHARGE FLANGE		APPROX. WT. Lbs.
	A	B	C	D	E	F	SIZE	M	SIZE	M1	
1FE012G1	42	16	6	12	2	8	4	9	4	9	300
2FE012G1	53	27	6	12	2	8	4	9	4	9	325
1FE022G1	43	17	6	13	2	8	6	11	6	11	330
2FE022G1	56	30	6	13	2	8	6	11	6	11	370
1FF036G1	49	20	7	14	2	10	6	11	6	11	490
2FF036G1	63	34	7	14	2	10	6	11	6	11	560
1FF050G1	54	25	7	14	2	10	6	11	6	11	520
2FF050G1	74	45	7	14	2	10	6	11	6	11	610
1FG065G1	57	24	9	18	2	12	8	14	8	14	760
2FG065G1	75	42	9	18	2	12	8	14	8	14	882
1FG090G1	64	30	9	18	2	12	8	14	8	14	805
2FG090G1	89	56	9	18	2	12	8	14	8	14	960
1FH115G1	67	31	11	20	3	15	8	14	8	14	1110
2FH115G1	90	54	11	20	3	15	8	14	8	14	1185
1FJ175G1	75	34	11	22	3	15	10	16	10	16	1555
2FJ175G1	101	61	11	22	3	15	10	16	10	16	1840

Dimensions are in inches and are for guidance only