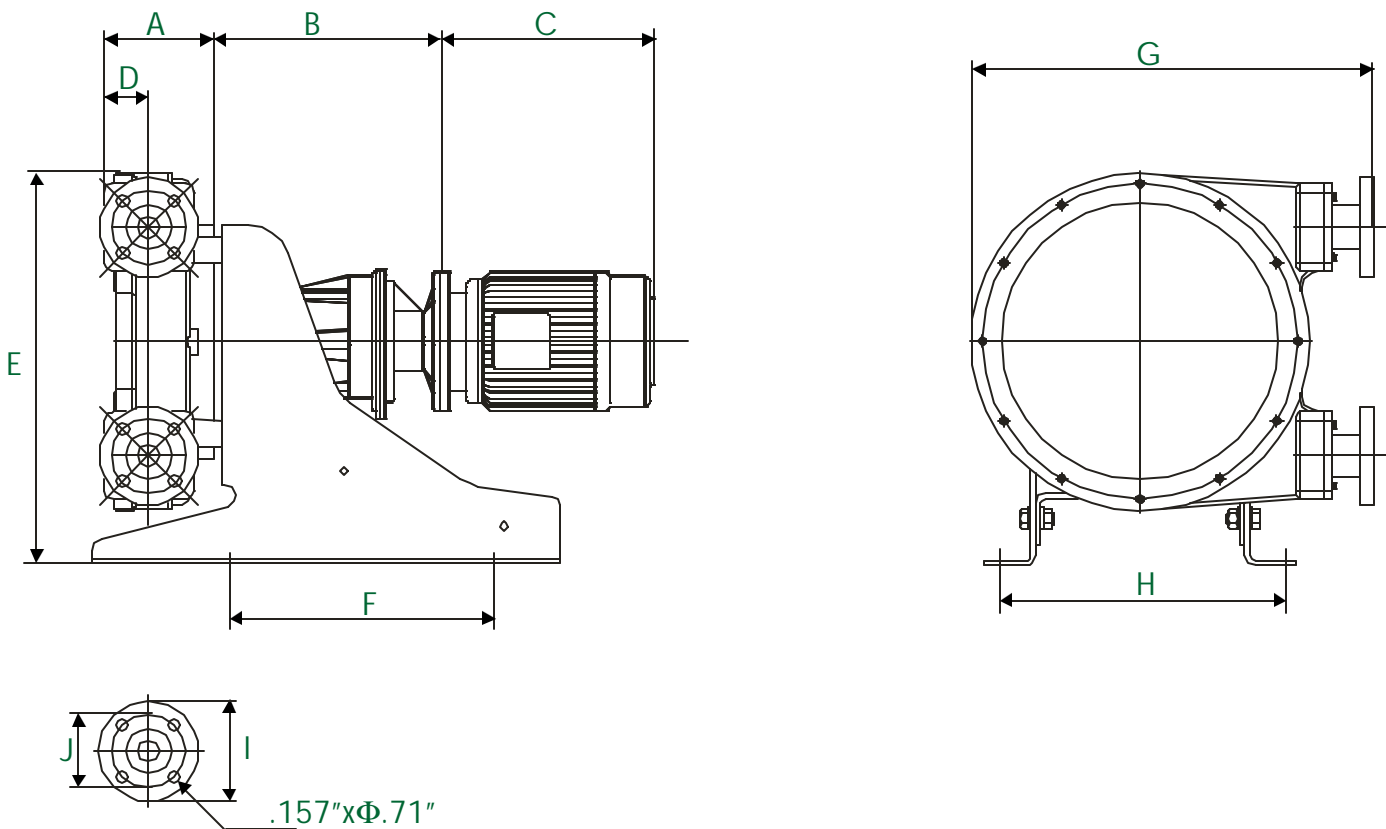


PERIFLO

Industrial Peristaltic Pumps

RBT-32B Model

Dimensions (Inches)



A	B	C	D	E	F	G	H	I	J
5.3	*	*	2.2	24.1	14.8	21.7	15.2	5.0	3.9

Bare Pump Weight = 196 lbs.

* To confirm according to driver type and power