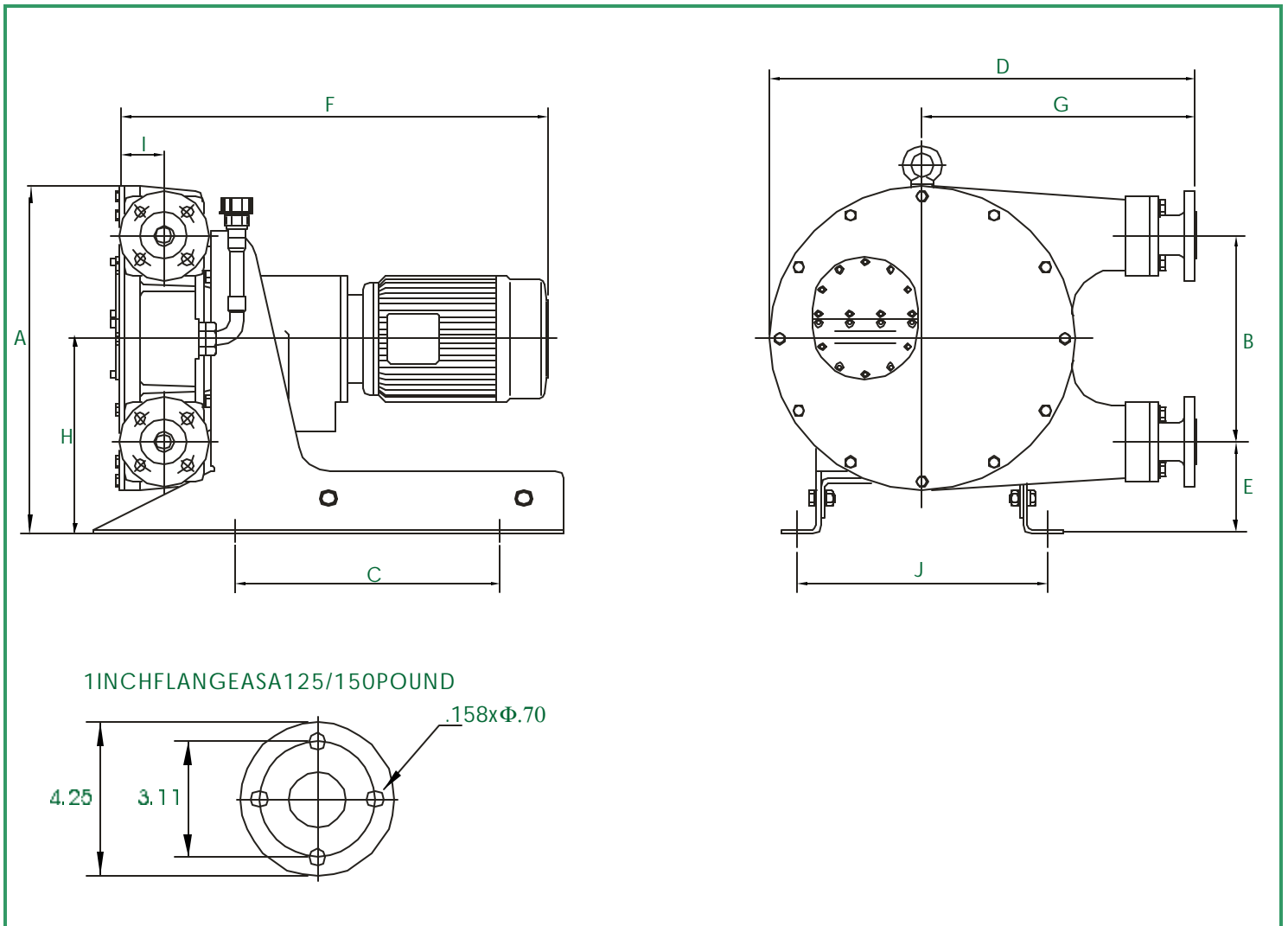


PERIFLO

Industrial Peristaltic Pumps

RBT-25 Model

Dimensions (Inches)



A	B	C	D	E	Fmax	Fmin	G	H	I	J
16.73	10.4	13.4	21.65	4.5	23.43	20.47	13.9	9.65	1.97	12.4

Bare Pump Weight = 126 lbs.