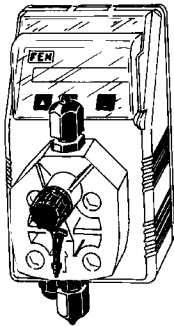


## "FMS DIGITAL" Self Venting

### Configuration



Power supply: 230 VAC (190÷265 VAC)  
 Power supply: 115 VAC (90÷135 VAC)  
 Power supply: 24 VAC (20÷32 VAC)  
 Power supply: 12 VDC (10÷16 VDC)



MODELS		
Standard	Self Venting	
MF	AU	"FMS MF" Digital multifunction pump (Constant, Divide, Multiply, PPM, Batch, Volt, mA), Stand-by and flow sensor input, alarm output, level control.
EN	AN	"FMS EN" Pump with weekly timer, microprocessor, digital controls, LCD display, level probe and electrovalve control.
PH	AP	"FMS PH" Proportional pump driven by built in pH-meter and level control, supplied without pH probe.
RH	AH	"FMS RH" Proportional pump driven by built in ORP-meter and level control, supplied without Redox probe..
MC	AD	"FMS CD" Proportional pump driven by built-in conductivity meter (0÷20ms), supplied with conductivity probe (mod. ECDCC) with automatic temperature compensation.
DT	AT	"FMS CDT" Proportional pump driven by internal built-in conductivity meter (0÷20ms) for cooling tower applications, with a set point for bleed electrovalve and a set point for feeding. Supplied with conductivity probe (mod. ECDCC) with automatic temperature compensation.

CAPACITIES			HOSE	VALVE
121.5	1.5 l/h against 12 bar	0.40 GPH against 174 PSI	1/4"	3/8"
102.2	2.2 l/h against 10 bar	0.58 GPH against 145 PSI	1/4"	3/8"
0703	3 l/h against 7 bar	0.79 GPH against 101 PSI	3/8"	3/8"
0705	5 l/h against 7 bar	1.32 GPH against 101 PSI	3/8"	3/8"
0505	5 l/h against 5 bar	1.32 GPH against 72 PSI	3/8"	3/8"
0606	6 l/h against 6 bar	1.59 GPH against 87 PSI	3/8"	3/8"
0507	7 l/h against 5 bar	1.85 GPH against 72 PSI	3/8"	3/8"
036.5	6.5 l/h against 3 bar	1.72 GPH against 43 PSI	3/8"	3/8"
038.5	8.5 l/h against 3 bar	2.25 GPH against 43 PSI	3/8"	3/8"

CAPACITIES Self Venting MODELS				
100.6	0.6 l/h against 10 bar	0.16 GPH against 145 PSI	1/4"	3/8"
071.5	1.5 l/h against 7 bar	0.40 GPH against 101 PSI	1/4"	3/8"
053.2	3.2 l/h against 5 bar	0.85 GPH against 72 PSI	3/8"	3/8"
036.5	6.5 l/h against 3 bar	1.71 GPH against 43 PSI	3/8"	3/8"
034.7	4.7 l/h against 3 bar	1.24 GPH against 43 PSI	3/8"	3/8"

POWER SUPPLY	
00	230 VAC Schuko plug
0S	230 VAC Australian plug
01	230 VAC Whitout plug
03	115 VAC US plug
04	24 VAC Whitout plug
05	12 VCC
07	24 VCC

Model F MF 121.5 V 00 00

LIQUID ENDS								
	Head	Orings	Valve		Diaphragm	Hose		Viscosity Max CPS
			Body	Balls		Delivery	Suction	
V	Polypropylene	Viton®	Polypropylene	Ceramic	PTFE	Polyethylene	PVC	100
D	Polypropylene	Etilene Propilene	Polypropylene	Ceramic	PTFE	Polyethylene	PVC	100
W	Polypropylene	Nytrile	Polypropylene	Ceramic	PTFE	Polyethylene	PVC	100
T	Polypropylene	Viton®+PTFE	Polypropylene	Ceramic	PTFE	Polyethylene	PVC	100
S	Polypropylene	Silicone	Polypropylene	Ceramic	PTFE	Polyethylene	PVC	100
K	PVDF	Viton®	PVDF	Ceramic	PTFE	PVDF	PVDF	100
P	PVDF	EPDM	PVDF	Ceramic	PTFE	PVDF	PVDF	100

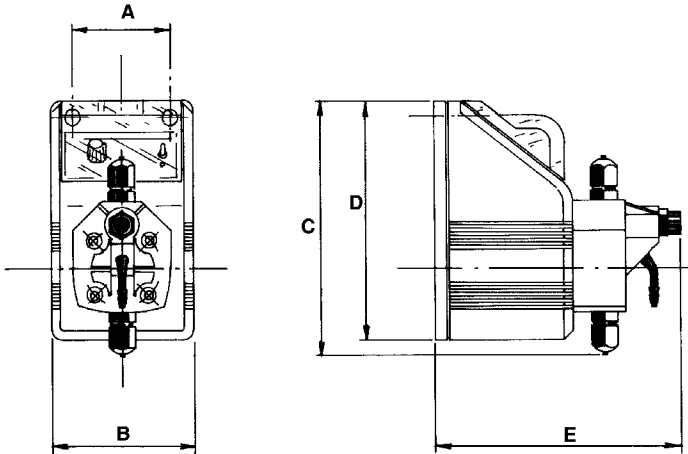
Viton® is a registered trademark of DuPont Dow Elastomers.

## "FMS DIGITAL" Self Venting

INFORMATION							
	Speed Stroke		Power consumption at (230VAC)	Power consumption at (115VAC)	Power consumption at (24VAC)	Power consumption at (12VAC/VCC)	Weight
	Min Stroke hour	Max Stroke minute					
121,5	1	150	16 Watt	11 Watt	10 Watt	10 Watt	2.2 Kg (4.85 Lbs)
102,2	1	150				N/A	
0703	1	150				10 Watt	
0705	1	150		13 Watt	11 Watt	N/A	
0505	1	150		11 Watt	10 Watt	10 Watt	
0606	1	150		13 Watt	11 Watt	N/A	
0507	1	150		11 Watt	N/A		
036,5	1	150		13 Watt			
038,5	1	150		11 Watt			

INFORMATION FOR Self Venting MODELS						
	Speed Stroke		Power consumption at (230VAC)	Power consumption at (115VAC)	Power consumption at (24VAC)	Weight
	Min Stroke hour	Max Stroke minute				
100,6	1	150	16 Watt	16 Watt	10 Watt	2.2 Kg (4.85 Lbs)
071,5	1	150			N/A	
053,2	1	150			N/A	
036,5	1	150			N/A	
034,7	1	150			N/A	



DIMENSIONS		
	mm	inches
A	63	2.48
B	91.5	3.60
C	168	6.61
D	153.5	6.04
E	160	6.29

IP65 enclosure (NEMA4x)  
 "FMS DIGITAL" series Metering Pumps are manufactured in molded glass filled and Polypropylene housing to ensure protection against aggressive chemicals and tough environment.

MORE INFORMATION							
	Flow				cc per Stroke Max	Maximum Injection Pressure	
	Min cc/h	Max l/h	Min GPH	Max GPH			
121,5	0.17	1.5	0.00004	0.40	0.17	12 bar	174 PSI
102,2	0.25	2.2	0.00006	0.58	0.25	10 bar	145 PSI
0703	0.34	3	0.00008	0.79	0.34	7 bar	101 PSI
0705	0.56	5	0.00014	1.32	0.56	7 bar	101 PSI
0505	0.56	5	0.00014	1.32	0.56	5 bar	72 PSI
0606	0.67	6	0.00017	1.59	0.67	6 bar	87 PSI
0507	0.78	7	0.00020	1.85	0.78	5 bar	72 PSI
036,5	0.72	6.5	0.00019	1.72	0.72	3 bar	43 PSI
038,5	0.95	8.5	0.00025	2.25	0.95	3 bar	43 PSI

MORE INFORMATION FOR Self Venting MODELS							
100,6	0.07	0.6	0.000018	0.16	0.07	10 bar	145 PSI
071,5	0.36	1.5	0.00009	0.40	0.36	7 bar	101 PSI
053,2	0.17	3.2	0.00004	0.85	0.17	5 bar	72 PSI
036,5	0.72	6.5	0.00019	1.71	0.72	3 bar	43 PSI
034,7	0.52	4.7	0.00013	1.24	0.52	3 bar	43 PSI