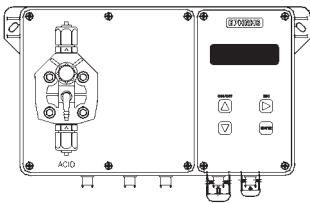
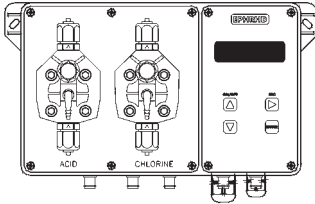


"EPHRHD" - "EPHRHS" series Metering Pumps Data Sheet

Configuration Info



MODELS	
PH	"EPHRHD" Swimming pool digital proportional regulator with metering pumps for acid (pH) and disinfectant (ORP). Stand-by input, level control for each pump. Two operating modes: mode 1, chlorine and acid independent feeding; mode 2, acid and chlorine feeding with priority on pH feeding.
PS	"EPHRHS" Swimming pool digital proportional regulator with metering pumps for acid (pH) and disinfectant (ORP). Stand-by input, level alarm control. Output: proportional / On-Off (disinfectant) electrovalve for feeder activation. The electrovalve output supplies 115 Vac or 230 Vac.

CAPACITIES		
0505	1.32 GPH (5 l/h) against 72.5 PSI (5 bar)	Tubing: 1/4"
0507	1.85 GPH (7 l/h) against 72.5 PSI (5 bar)	Tubing: 1/4"

POWER SUPPLY	
03	115 VAC US plug
00	230 VAC Schuko plug
01	230 VAC without plug
04	24 VAC without plug
05	12 VDC *
07	24 VDC
* Confirm capacity availability at 12 VDC with EMEC staff.	

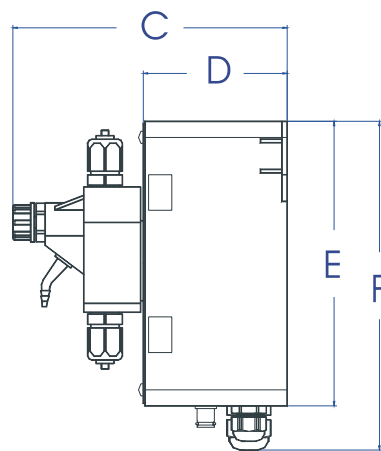
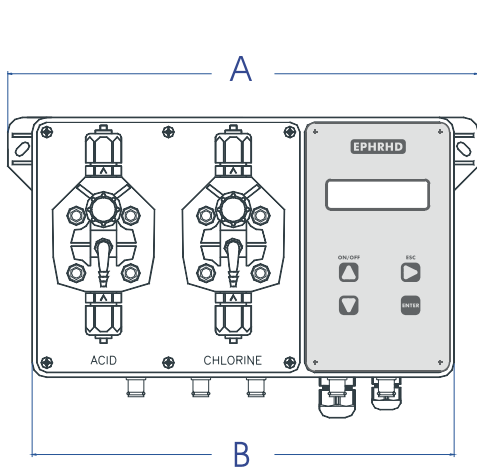
Model E - PH 0505 V 00 00

LIQUID ENDS								
	Head	Orings	Valve		Diaphragm	Tubing		Viscosity
			Body	Balls		Delivery	Suction	Max CPS
V	Polypropylene	Viton®	Polypropylene	Ceramic	PTFE	Polyethylene	PVC	100
D	Polypropylene	Ethylene Propylene	Polypropylene	Ceramic	PTFE	Polyethylene	PVC	100
S	Polypropylene	Silicone	Polypropylene	Ceramic	PTFE	PVDF	PVDF	100
A	Acrylic	Viton®	Polypropylene	Ceramic	PTFE	Polyethylene	PVC	100
K	PVDF	Viton®	PVDF	Ceramic	PTFE	PVDF	PVDF	100
P	PVDF	EPDM	PVDF	Ceramic	PTFE	PVDF	PVDF	100

Viton® is a registered trademark of DuPont Dow Elastomers.

“EPHRHD” - “EPHRHS” series Metering Pumps Data Sheet

SPECIFICATIONS			
	Max Strokes speed	Average Input Power at max speed	Shipping weight
0505	150	32 Watt	7.94 Lbs (3.6 Kg)
0507	150		



DIMENSIONS		
	inch	mm
A	11.42	290
B	10.23	260
C	6.10	155
D	3.18	81
E	6.29	160
F	7.28	185

OUTPUT INFORMATION								
	Gallons per Hour		Liters per Hour		mL/cc per Stroke		Maximum Injection Pressure	
	Min	Max	Min	Max	Min	Max		
0505	0.039	1.32	0.3	5	0.17	0.56	72.5 PSI	5 bar
0507	0.055	1.85	0.21	7	0.23	0.78	72.5 PSI	5 bar