

PX Series (PPG, PVDF, or ETFE)

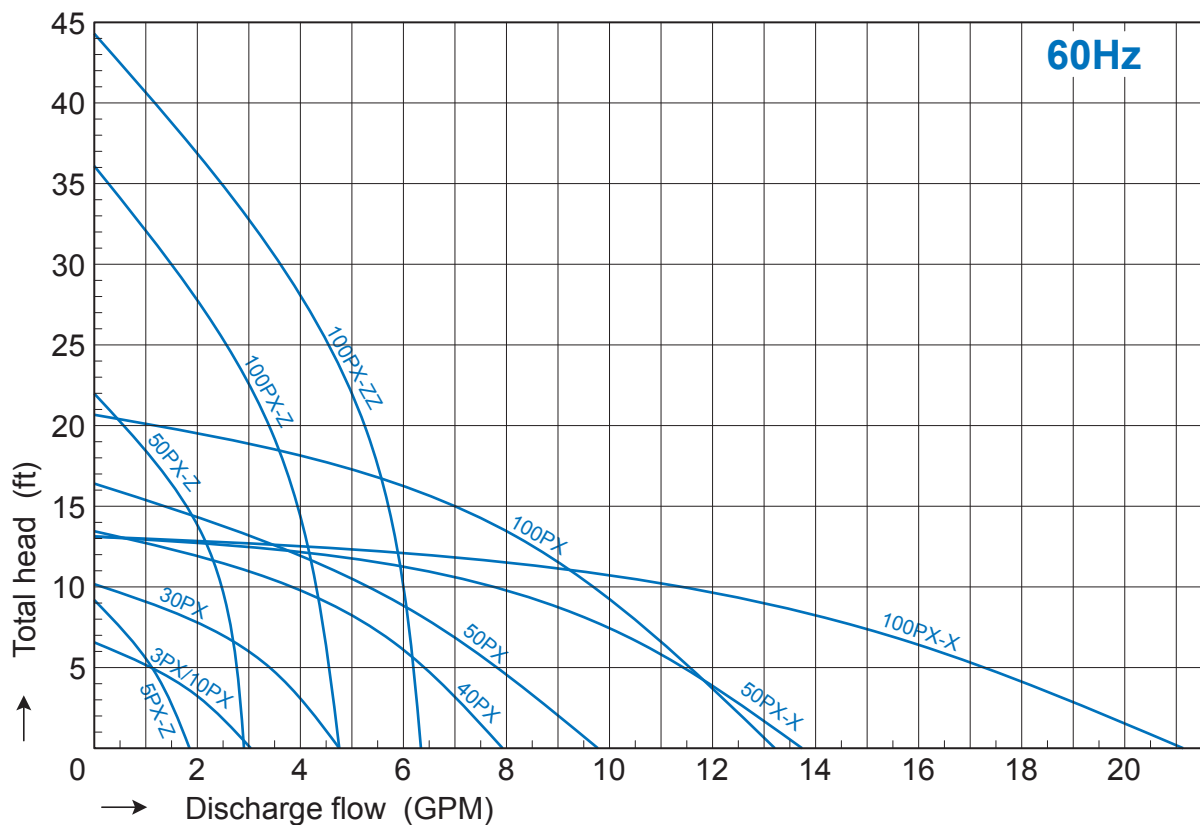
- Compact magnetic drive pumps for OEM, aquarium, and process applications.
- Offering ceramic or Sic bearing and spindles for wearing components.



Specification table

Model	Fitting size(")		Performance ft-GPM, 60Hz		Motor Output x Input(W)	Voltage (V)	Net weight (lb)
	Hose	NPT thread	Max total head- max discharge	Specified head- specified discharge			
	InxOutlet	InxOutlet					
NH-3PX/3PX-N	9/16x9/16	1/2x1/2	6.6-3.0	3.3-2.0	5x20	100~120	2.2
NH-5PX-Z/5PX-Z-N	9/16x9/16	1/2x1/2	9.2-1.9	4.9-1.1	5x21	100~120	2.2
NH-10PX/10PX-N	9/16x9/16	1/2x1/2	6.6-3.0	3.3-2.0	5x20	100~120	2.2
NH-30PX/30PX-N/30PX-F	9/16x9/16	3/4x3/4	10.2-4.8	4.9-3.4	10x30	100~120	3.7
NH-40PX/40PX-N/40PX-F	11/16x11/16	3/4x3/4	13.5-7.9	6.6-5.8	20x45	100~120	4.4
NH-50PX-Z/50PX-Z-N/50PX-Z-F	11/16x11/16	3/4x3/4	22.0-2.9	13.1-2.1	20x55	100~120	4.8
NH-50PX/50PX-N/50PX-F	13/16x13/16	3/4x3/4	16.4-9.8	8.2-6.3	45x90	100~120	6.6
NH-50PX-X/50PX-X-N/50PX-X-F	1x1	1x1	13.0-13.2	6.6-10.6	45x90	100~120	6.6
NH-100PX-Z/100PX-Z-N/100PX-Z-F	11/16x11/16	3/4x3/4	36.1-4.8	19.7-3.4	45x95	100~120	6.6
NH-100PX/100PX-N/100PX-F	13/16x13/16	3/4x3/4	20.7-13.2	13.1-8.2	65x120	100~120	7.7
NH-100PX-X/100PX-X-N/100PX-X-F	1x1	1x1	13.1-21.1	6.6-15.9	65x165	100~120	7.7
NH-100PX-ZZ/100PX-ZZ-N/100PX-ZZ-F	13/16x13/16	3/4x3/4	44.3-6.3	19.7-5.3	65x200	100~120	7.7

Pump performance curve



Model identification

N H - 3 0 P X - N - H - 1

(5) (4) (3) (2) (1)

Model

Series

Supply voltage : 1 100-110V
2 220-240V

Pipe connection : H Hose
: T NPT thread

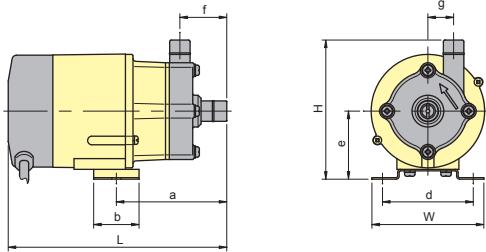
Material : Without PPG
N PVDF
F ETFE



Installation dimensions

■ NH-3PX, 5PX-Z, 10PX
NH-3PX-N, 5PX-Z-N, 10PX-N

Hose, NPT thread

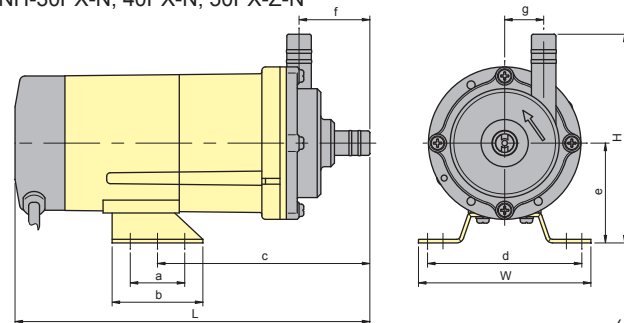


(inch)

Model	W	H	L	a	b	c	d	e	f	g
NH-3PX	2.8	3.6	4.0	1.2	2.8	2.4	1.8	1.1	0.7	
NH-5PX-Z	2.9	3.6	5.7	1.2	2.9	2.4	1.8	1.2	0.7	
NH-10PX										

■ NH-30PX, 40PX, 50PX-Z
NH-30PX-F, 40PX-F, 50PX-Z-F
NH-30PX-N, 40PX-N, 50PX-Z-N

Hose, NPT thread

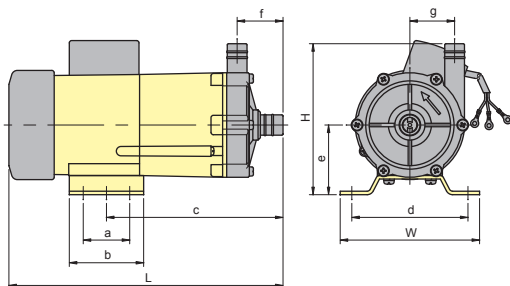


(inch)

Model	W	H	L	a	b	c	d	e	f	g
NH-30PX	3.7	4.5	7.8	1.2	2.0	4.6	3.3	2.2	1.5	0.8
NH-40PX	3.7	4.5	8.3	1.2	2.0	5.2	3.3	2.2	1.5	1.1
NH-50PX-Z	3.7	4.9	8.9	1.2	2.0	5.3	3.3	2.2	1.6	1.5

■ NH-50PX, 50PX-X, 100PX-Z, 100PX, 100PX-X, 100PX-ZZ,
NH-50PX-F, 50PX-X-F, 100PX-Z-F, 100PX-F, 100PX-X-F, 100PX-ZZ-F
NH-50PX-N, 50PX-X-N, 100PX-Z-N, 100PX-N, 100PX-X-N, 100PX-ZZ-N

Hose, NPT thread



(inch)

Model	W	H	L	a	b	c	d	e	f	g
NH-50PX	4.7	5.1	9.7	1.6	2.5	6.7	3.9	2.4	1.9	1.2
NH-50PX-X	4.7	5.3	10.0	1.6	2.5	6.9	3.9	2.4	2.0	1.0
NH-100PX-Z	4.7	5.1	9.3	1.6	2.5	6.0	3.9	2.4	1.6	1.5
NH-100PX	4.7	5.1	10.3	1.6	2.5	6.7	3.9	2.4	1.9	1.2
NH-100PX-X	4.7	5.3	10.6	1.6	2.5	6.9	3.9	2.4	2.0	1.0
NH-100PX-ZZ	4.7	5.1	9.6	1.6	2.5	6.3	3.9	2.4	1.5	1.8