

## PI-Z-D Series

Magnetic drive pump with brushless DC motor

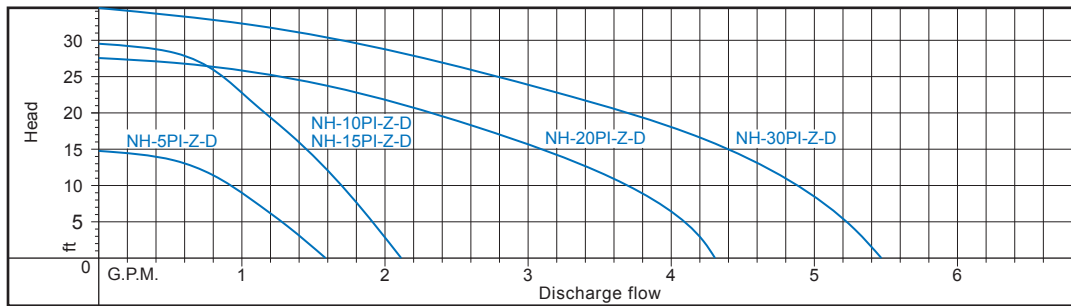
- Rare earth magnets for strong performance in compact package.
- Ideal for laser, medical, fuel cell and computer cooling applications.
- Life expectancy over 20,000 hours.



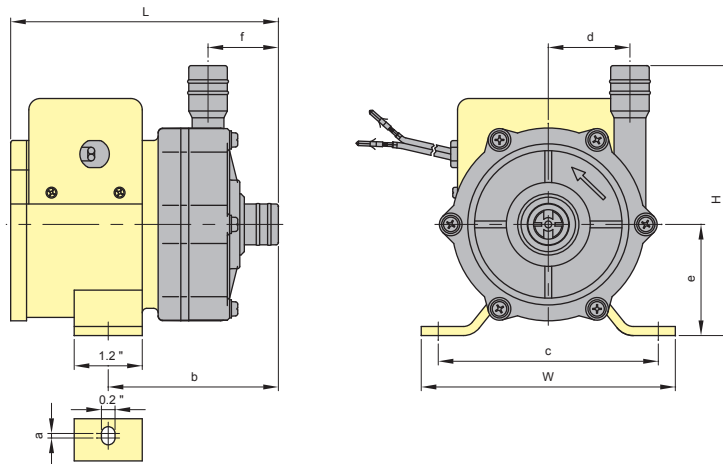
### Specification table

Model	Fitting size ( " )	Max flow ( GPM )	Max head ( ft )	Motor		
	Outlet x Inlet			Power ( V )	Output x Input ( W )	Speed ( rpm )
NH-5PI-Z-D	5/16 x 9/16	1.6	14.8	DC24V,DC12V	8 x 13	3700
NH-10PI-Z-D	5/16 x 9/16	2.2	29.0	DC24V	18 x 30	5500
NH-15PI-Z-D	5/16 x 11/16	2.2	29.0	DC24V	20 x 45	3200
NH-20PI-Z-D	11/16 x 11/16	4.2	27.0	DC24V	30 x 55	3000
NH-30PI-Z-D	11/16 x 11/16	5.4	36.0	DC24V	45 x 65	3300

### Pump performance curve



### Installation dimensions



( inch )

Model	W	H	L	a	b	c	d	e	f
NH-5PI-Z-D	2.9	3.5	3.9	0	2.7	2.4	0.8	1.8	1.0
NH-10PI-Z-D	2.9	3.5	3.9	0	2.7	2.4	0.8	1.8	1.0
NH-15PI-Z-D	4.4	4.7	4.7	0.1	3.0	3.8	1.4	1.9	1.2
NH-20PI-Z-D	4.4	4.7	4.7	0.1	3.0	3.8	1.4	1.9	1.2
NH-30PI-Z-D	4.4	4.7	4.8	0.1	3.0	3.8	1.4	1.9	1.2